

1. General Information

Before Installation, read the following instructions carefully. Each Liberty pump is individually factory tested to assure proper performance. By closely following these instructions, potential operating problems should be eliminated, providing years of trouble-free service.

WARNING

- **Risk of electric shock.** Always disconnect the pump from the power source before handling or making adjustments.
- The electrical connections and wiring for a pump installation should only be made by qualified personnel.
- This pump is supplied with a grounding conductor and grounding-type attachment plug. To reduce the risk of electric shock, be certain that it is connected only to a properly grounded, grounding-type 15 Amp receptacle.
- Always wear rubber boots when water is on the floor and you must unplug the pump.
- DO NOT bypass grounding wires or remove ground prong from attachment plugs.
- DO NOT use an extension cord.
- This pump requires a separate, properly fused and grounded branch circuit. Make sure the power source is properly sized for the voltage and amperage requirements of the pump, as noted on the nameplate.
- The electrical outlet shall be within the length limitations of the pump power cord, and at least 4 feet above floor level to minimize possible hazards from flood conditions.
- The installation must be in accordance with the National Electric Code, Uniform Plumbing Code, International Plumbing Code, as well as all applicable local codes and ordinances.
- Sump and sewage pumps often handle materials which could cause illness or disease. Wear adequate protective clothing when working on a used pump or piping.
- Never enter a pump basin after it has been used. Sewage and effluent can emit several gases which are poisonous.
- Keep clear of suction and discharge openings. To prevent injury, never insert fingers into pump while it is plugged in.
- DO NOT use this product for flammable or corrosive liquid.
- DO NOT use this product in applications where human contact with the pumped fluid is common (such as swimming pools, fountains, etc.)
- NEVER dispose of materials such as paint thinner or other chemicals down drains, as they can chemically attack and damage pump components, potentially causing product malfunction or failure.

CAUTION

- **DO NOT use pumps in water over 140°F (60°C).**
- DO NOT use pumps in mud, sand, cement, oil or chemicals.
- DO NOT modify the pump in any way.
- DO NOT lift or carry pump by power cord.
- DO NOT remove any tags from pump or cords.
- If pump is installed during construction before power is available, it must be protected from the environment to prevent water from entering through the cord plug end, etc.

Tools Required:

- Pipe wrench
- Regular screw driver
- Hacksaw (For replacement or removal of existing rigid piping.)

Removal of old pump

WARNING

Disconnect old pump from power source before handling.

Separate the discharge pipe at either the check valve or at the union. If neither a check valve nor a union is part of the existing discharge pipe, cut the pipe with a hacksaw and remove the pump (A union or check valve will need to be installed at this cut).

MODEL SPECIFICATIONS

Model	HP	Volts	Full Load Amps	Solids Handling	Automatic Or Manual*	Shut-off Head	Factory Switch Setting	
							Turn-on	Turn-off
250*	1/3	115	5.2	1/2"	Manual*	18 ft.	*	
251	1/3	115	5.2	1/2"	Automatic	18 ft.	11"	4-1/2"
253	1/3	115	5.2	1/2"	Automatic	18 ft.	11"	4-1/2"
257	1/3	115	5.2	1/2"	Automatic	18 ft.	7"	3-1/2"
280*	1/2	115	10	3/4"	Manual*	37 ft.	*	
281	1/2	115	10	3/4"	Automatic	37 ft.	13-1/2"	7"
283	1/2	115	10	3/4"	Automatic	37 ft.	13-1/2"	7"
287	1/2	115	10	3/4"	Automatic	37 ft.	9-1/2"	4"
280HV*	1/2	208-230	5	3/4"	Manual*	37 ft.	*	
283HV	1/2	208-230	5	3/4"	Automatic	37 ft.	13-1/2"	7"
287HV	1/2	208-230	5	3/4"	Automatic	37 ft.	9-1/2"	4"
FL31M*	1/3	115	13	3/4"	Manual*	19 ft.	*	
FL31A	1/3	115	13	3/4"	Automatic	19 ft.	12"	5"
FL32M*	1/3	208-230	7	3/4"	Manual*	19 ft.	*	
FL32A	1/3	208-230	7	3/4"	Automatic	19 ft.	12"	5"
FL51M*	1/2	115	12	1/2"	Manual*	48 ft.	*	
FL51A	1/2	115	12	1/2"	Automatic	48 ft.	12"	5"
FL52M*	1/2	208-230	7	1/2"	Manual*	48 ft.	*	
FL52A	1/2	208-230	7	1/2"	Automatic	48 ft.	12"	5"
FL61M*	6/10	115	13	1/2"	Manual*	63 ft.	*	
FL61A	6/10	115	13	1/2"	Automatic	63 ft.	12"	5"
FL62M*	6/10	208-230	7	1/2"	Manual*	63 ft.	*	
FL62A	6/10	208-230	7	1/2"	Automatic	63 ft.	12"	5"
FL102M*	1	208-230	12	3/4"	Manual*	90 ft.	*	*
FL102A	1	208-230	12	3/4"	Automatic	90 ft.	15"	8"
FL103M*	1	208-230 3 PH	9	3/4"	Manual*	90 ft.	*	*
FL104M*	1	440-480 3 PH	4.5	3/4"	Manual*	90 ft.	*	*
FL152M*	1-1/2	208-230	15	3/4"	Manual*	110 ft.	*	*
FL152A	1-1/2	208-230	15	3/4"	Automatic	110 ft.	15"	8"
FL153M*	1-1/2	208-230 3 PH	10.6	3/4"	Manual*	110 ft.	*	*
FL154M*	1-1/2	440-480 3 PH	5.3	3/4"	Manual*	110 ft.	*	*
FL202M*	2	208-230	15	3/4"	Manual*	130 ft.	*	*
FL202A	2	208-230	15	3/4"	Automatic	130 ft.	15"	8"
FL203M*	2	208-230 3 PH	10.6	3/4"	Manual*	130 ft.	*	*
FL204M*	2	440-480 3 PH	5.3	3/4"	Manual*	130 ft.	*	*

* **Note:** Manual models ("M" suffix) and 3 phase models, as designated above, require a separate approved pump control device or panel for automatic operation. Operation of these models will be according to the control selected. Make sure the electrical specifications of the control selected properly match the electrical specifications of the pump. 3 phase models require overload elements selected or adjusted in accordance with the control or panel instructions.

2. Dewatering / Sump Applications

1. For ordinary ground water pumping applications, a sump pit of not less than 14" in diameter is recommended. Vertical float (VMF) models (257 and 287) may be used in a minimum 10" diameter sump; however, a larger diameter pit is preferred as it allows for a longer pump cycle and reduced switch cycling. The minimum depth of the pit should be 18".
2. If the pit is not already enclosed on the bottom, provide a hard level bottom of bricks or concrete. **DO NOT** place the pump directly on earth, gravel or debris since this can cause excessive wear of the impeller and possible jamming. **"The Brick"** (sold by Liberty Pumps as part # 4445000) is a pre-molded stable platform designed to fit your submersible pump. It raises the pump 2.5" off the bottom of the pit, reducing the potential for jamming from rocks and debris. Contact your local distributor to order. Remove all debris from the bottom of the sump pit before installation of the pump. A sump pit cover is suggested for safety and to prevent foreign objects from entering the pit.
3. Set the pump in the pit making sure the switch has adequate clearance and will not hang-up on the pit wall. The float must be **free to move throughout its travel** and not contacting the pump body, piping, or other objects. A 1-1/2" threaded discharge is provided for connection of the discharge pipe. Do not reduce the discharge size to below 1-1/2". Schedule 40 PVC pipe is recommended; however, flexible discharge hose kits may be used for temporary installations.
4. Connect the pipe or the discharge hose to the discharge of the pump. **HAND TIGHTEN ONLY**. Over tightening may cause the pump housing to crack. Install a union or other means of separating the discharge line just above the floor to facilitate removal of the pump if necessary. A check valve is recommended just above or in place of the union to prevent the backflow of water after each pump cycle. (All Liberty effluent/dewatering pumps come equipped with an air bleed hole in the base of the pump to help prevent airlock. A small spray of water from this hole is normal while pump is running.)
5. Connect additional piping as needed to direct the discharge to the desired location. Discharge should be kept as short as possible with a minimum number of turns. Check all connections for security.
6. Install a union or other means of separating the discharge pipe just above the floor to facilitate removal of the pump if necessary. **A check valve is recommended just above, or in place of, the union to prevent the backflow of water after each pump cycle.**
7. If a check valve is used, a 1/8" anti-airlock hole should be drilled in the discharge pipe just above the pump's discharge outlet to prevent pump "airlock" (see Fig. 1)

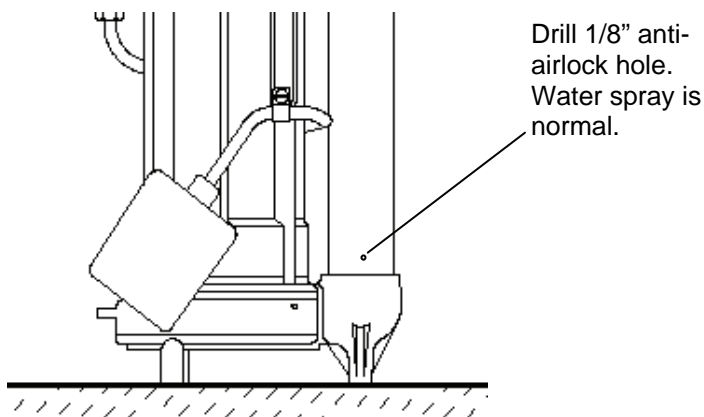


Fig. 1 – Anti-airlock hole position

8. For added protection, consider the addition of a back-up pump such as **Liberty's SJ10 SumpJet**, as well as an alarm such as **Liberty's ALM-2** in applications where loss of pump function could result in property damage. If an alarm is used, it must be connected to a separate electrical circuit.

3. Effluent Applications

Vertical Magnetic Float (VMF) models (257 and 287) are not recommended for effluent applications due to their short On/Off cycle. Wide angle float models are better suited for effluent applications and are easily adjustable for different On/Off levels.

The basin required for effluent applications must be sealed and vented to meet health and plumbing code requirements. Proper basin size and basin materials for effluent applications vary depending on the type of effluent system and local codes. Check with your local codes official prior to purchasing and installing the basin. Follow the manufacturer's recommended guidelines for installation of your specific basin. A minimum diameter of 18" and depth of 24" is required for proper pump operation, but larger basins are preferred for longer pump cycles and increased switch life. Installation should be at a sufficient depth to ensure that all plumbing is below the frost line. If this is not feasible, delete the check valve and size the basin and/or adjust the pump differential to accommodate the additional backflow.

⚠ WARNING

These pumps are not to be installed in locations classified as hazardous in accordance with the National Electric Code, ANSI/NFPA 70, or where prohibited by local codes.

- A. **Simplex (One Pump) Systems (see Fig. 2):** Set the pump in place making sure the float has adequate clearance to the side wall of the basin. The float must be **free to move throughout its travel** and not contacting the pump body, piping, or other objects. If an optional control device or float is used, follow the directions for mounting that accompany the optional control. Connect the discharge pipe to the pump's threaded discharge. **IMPORTANT: DO NOT REDUCE THE DISCHARGE PIPE SIZE BELOW THAT WHICH IS PROVIDED ON THE PUMP.** Contact Liberty Pumps or other qualified person if you have questions regarding proper pipe sizes and flow rates. Mount the basin cover making sure it is properly sealed.

Installation of Discharge: After the pump has been mounted, install the discharge line. A union should be installed to facilitate pump removal if necessary. A free-flow swing check valve is recommended after the union to prevent the backflow of liquid after each pumping cycle. A gate valve should follow the check valve to allow periodic cleaning of the check valve or removal of the pump. The remainder of the discharge line should be as short as possible with a minimum number of turns, to minimize friction head loss. Contact Liberty Pumps or other qualified person if you have questions regarding proper pipe sizes and flow rates.

(All Liberty effluent/dewatering pumps come equipped with an air bleed hole in the base of the pump to help prevent airlock. A small spray of water from this hole is normal while pump is running.)

- B. **Duplex (Two Pump) Systems (see Fig. 3):** Set both pumps in place in the bottom of the basin. The duplex control used will include 3 or 4 floats that will either be tethered to one of the discharge pipes or to an independent rod or bracket. Follow the instructions provided with your duplex control device. Each float must be **free to move throughout its travel** and not contacting the pump body, piping, or other objects. Connect an individual discharge pipe to each pump. **IMPORTANT: DO NOT**

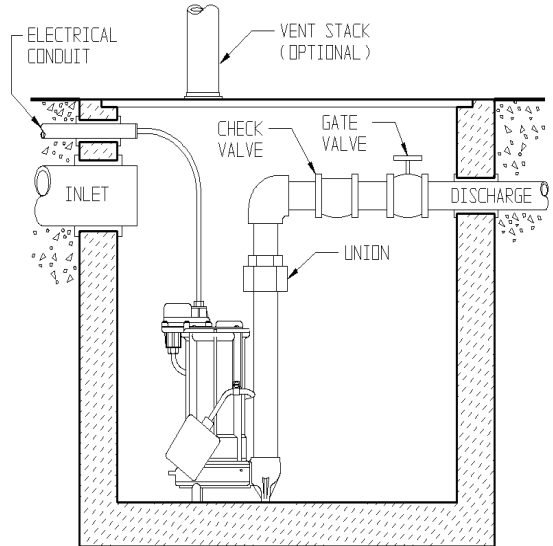


Fig. 2 – Typical Installation Simplex System
This is a recommended installation only.
Variations may apply.

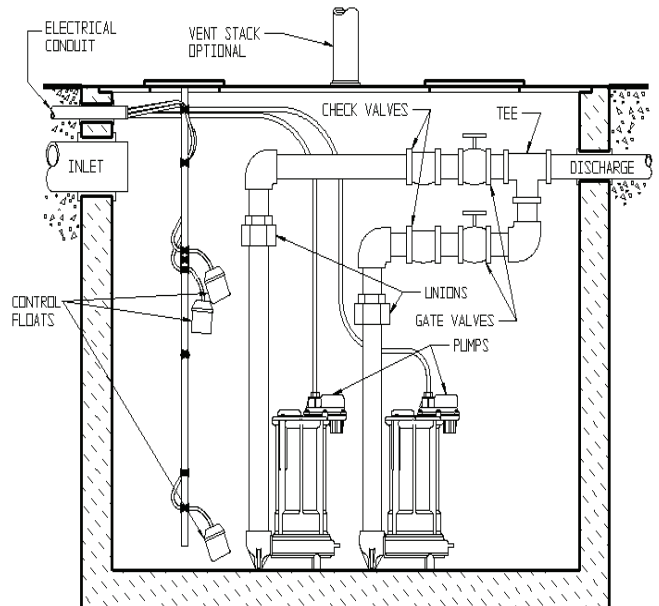


Fig. 3 – Typical Installation Duplex System
This is a recommended installation only.
Variations may apply.

REDUCE THE DISCHARGE PIPE SIZE BELOW THAT WHICH IS PROVIDED ON THE PUMP. Contact Liberty Pumps or other qualified person if you have any questions regarding proper pipe sizes and flow rates. To eliminate fluid recycling in duplex installations, it is necessary to have a check valve on each discharge line prior to tying the two discharges into one common line. Depending on the height of your basin, the check valves may either be installed inside the basin or outside the basin. Mount the basin cover(s) making sure they are properly sealed.

Installation of Remaining Discharge: Unions or flexible connectors should be installed to facilitate removal of the pump if necessary. Free-flow swing check valves should be installed on each discharge after the union and prior to the gate valve to prevent the back flow of liquid or gas. A check valve on each discharge line, prior to tying into one common line, is necessary to prevent the recycling of fluid from one pump to the other. A gate valve is recommended after the check valve to allow for periodic cleaning of the check valve or removal of the pump. The remainder of the discharge line should be as short as possible with a minimum number of turns to minimize friction head loss. Contact Liberty Pumps or other qualified person if there are questions regarding proper pipe size or flow rates. (All Liberty effluent/dewatering pumps come equipped with an air bleed hole in the base of the pump to help prevent airlock. A small spray of water from this hole is normal while pump is running.)

4. Electrical Service and Operation

⚠ WARNING

- **Risk of electric shock.** Always disconnect the pump from the power source before handling or making adjustments.
- The electrical connections and wiring for a pump installation should only be made by qualified personnel.
- This pump is supplied with a grounding conductor or a grounding type attachment plug. To reduce the risk of electric shock, be certain that the grounding conductor is connected only to a properly grounded control panel or, if equipped with a grounding type plug that it is connected to a properly grounded, grounding type receptacle.
- DO NOT bypass grounding wires or remove ground prongs from attachment plugs.
- DO NOT use an extension cord.
- This pump requires separate, properly fused and grounded branch circuit. Make sure the power source is properly sized for the voltage and amperage requirements of the motor, as noted on the pump nameplate.
- The electrical outlet or panel shall be within the length limitations of the pump power cord, and at least 4 feet above floor level to minimize possible hazards from flood conditions.
- The installation must be in accordance with the National Electric Code and all applicable local codes and ordinances.

⚠ CAUTION

When the risk of property damage from high water levels exists, an independent high water alarm or back up pump system should be installed.

All FL-Series automatic models (designated with the letter "A") and Models 253 and 283, come factory-equipped with a float switch mounted to the pump. These models come with two cords - one to the float switch and the other to the pump motor. The switch cord has a series (piggyback) plug enabling the pump (motor) cord to be plugged into the back of it. The purpose of this design is to allow manual operation of the pump.

For manual operation, or in the event of switch failure, the pump cord can be separated and plugged into the electrical outlet, directly bypassing the switch (**see Fig. 4**).

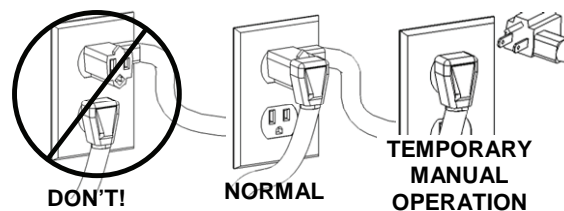


Fig. 4 – Temporary manual operation

For automatic operation using Liberty's supplied switch, the two cords should be interconnected and plugged into a separately fused grounded outlet of proper amp capacity for your selected pump model. (See Section 1, General Information or the pump nameplate for electrical specifications of your model.) Both cords are equipped with 3-prong plugs and must be plugged into a properly grounded 3-wire receptacle. **DO NOT REMOVE THE GROUND PRONGS.**

⚠ WARNING

208-230V single phase pumps shall only be operated without the float switch by using the circuit breaker or panel disconnect.

⚠ CAUTION

Do not let the pump run dry.

The turn-on/turn-off levels vary depending on model. (See model specifications chart on page 3 for the "factory" preset level of your specific model.) Other pumping differentials may be obtained by tethering the switch cord to the discharge pipe. **NOTE:** A minimum cord length of 3-1/2" from the tether point to the top surface of the float is required for proper switch operation. If using a differential other than the factory setting, be sure that when the pump shuts off, at least 3-1/2" of fluid is left in the basin so the impeller remains submerged. **(Models 251, 257, 281, and 287 have factory-preset switches that are not adjustable.)**

Manual pumps with no switch are intended to be run using an approved liquid level control or approved motor control with correct rating that matches motor input in full load amperes. Regardless of the control type, be sure that when the pump shuts off, at least 3-1/2" of fluid is left in the basin so the impeller remains submerged.

NOTE: For automatic operation with optional control devices: If the pump(s) are to be operated by either a simplex or duplex control panel or other optional control device, follow the installation instructions provided with the control and make the power connections per those instructions. If necessary, certain models may be run without a separate control.

⚠ WARNING

208-230V single phase pumps shall only be operated without the float switch by using the circuit breaker or panel disconnect.

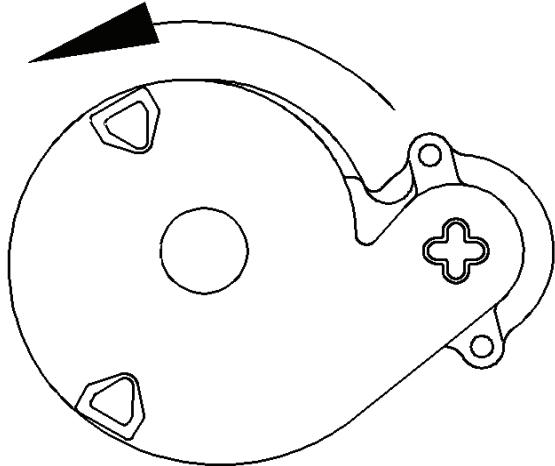
⚠ CAUTION

Do not let the pump run dry.

3 Phase Pump Models (FL103, FL104, FL153, FL154, FL203, FL204)

⚠ CAUTION

For 3-Phase pumps, check for proper rotation before installing pump into basin **(see Fig. 5).**



Bottom View

Check three phase pumps for proper rotation prior to installing pump(s) in basin. To change rotation, reverse any two of the three power leads to the pump. Code the wires for reconnection after installation.

Fig. 5 – Proper impeller rotation, three phase models

If a single phase pump is to be wired directly into a control device or junction box, and it is necessary to remove the plugs, have a certified electrician do the wiring in accordance with the National Electric Code and applicable local codes. See **Fig. 6** for direct wire installation of single phase, automatic pumps.

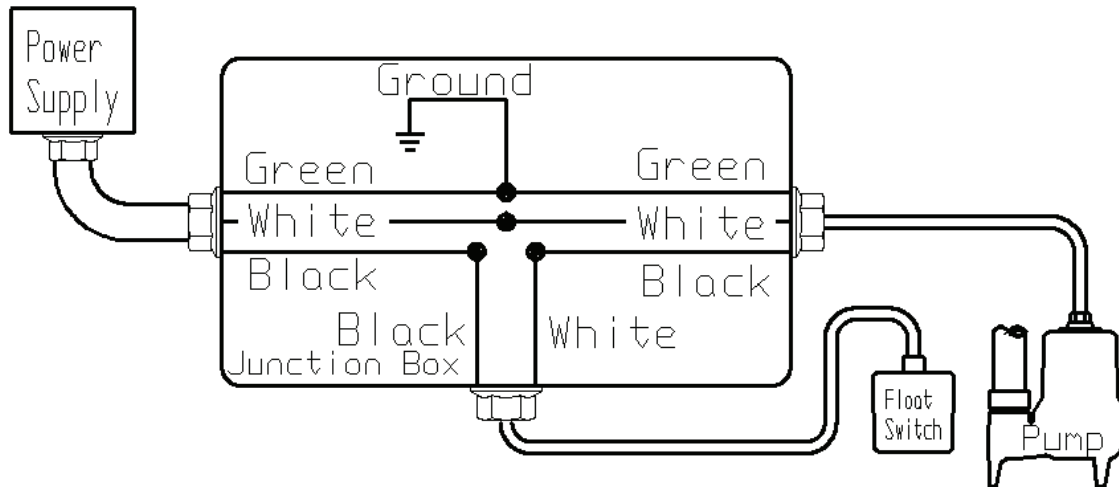


Fig. 6 – Direct Wiring of 120V or 208-230V Single Phase, Automatic Pumps

⚠ WARNING For 208-230V installations: Install a double pole disconnect near the pump installation. One side of the line going to the pump is always “hot”, whether the float switch is in the “On” or the “Off” position. Use of a double pole disconnect will allow both hot legs to be de-energized.

5. Maintenance

⚠ WARNING Risk of electric shock. Always disconnect the pump from the power source before handling or making adjustments.

⚠ WARNING Always disconnect the pump from power source before handling. This guide is designed to help identify reasons for potential operating problems. It is not a service guide. **Dismantling of pump voids warranty.** Servicing of pump other than simple cleaning of pump inlet or impeller should be referred to the factory or its authorized service centers.

- 1. Submersible Models:** Submersible pump models have sealed permanently lubricated bearings and require no additional lubrication.
- 2. Pump should be checked frequently for debris and/or build up which may interfere with pump or float switch operation.** The float must be able to move freely through its complete travel without any restrictions. Pour enough water into the sump to activate the pump periodically (at least every 3 months) when not normally in use to verify proper function.

NOTE: The manufacturer assumes no responsibility for damage or injury due to disassembly in the field.

6. Troubleshooting

Problem	Cause	Correction
Pump will not run.	<ul style="list-style-type: none"> Blown fuse or other interruption of power; improper voltage. 	<ul style="list-style-type: none"> Check that the unit is securely plugged in. Have an electrician check all wiring for proper connections and adequate voltage and capacity.
	<ul style="list-style-type: none"> Switch is unable to move to the "turn on" position due to interference with the side of basin or other obstruction 	<ul style="list-style-type: none"> Position the pump or switch so that it has adequate clearance for free operation.
	<ul style="list-style-type: none"> Insufficient liquid level. 	<ul style="list-style-type: none"> Make sure the liquid level is allowed to rise enough to activate switch(s).
	<ul style="list-style-type: none"> Defective switch. 	<ul style="list-style-type: none"> Remove and replace switch.
Pump will not turn off.	<ul style="list-style-type: none"> Switch(s) unable to move to the "turn off" position due to interference with the side of basin or other obstacle. 	<ul style="list-style-type: none"> Position the pump or switch so that it has adequate clearance for free operation.
	<ul style="list-style-type: none"> Defective switch. 	<ul style="list-style-type: none"> Remove and replace switch.
Pump runs or hums, but does not pump.	<ul style="list-style-type: none"> Discharge is blocked or restricted. 	<ul style="list-style-type: none"> Check the discharge line for foreign material, including ice if the discharge line passes through or into cold areas.
	<ul style="list-style-type: none"> Check valve is stuck closed or installed backwards. 	<ul style="list-style-type: none"> Remove check valve(s) and examine for freedom of operation and proper installation.
	<ul style="list-style-type: none"> Gate or ball valve is closed. 	<ul style="list-style-type: none"> Open gate or ball valve.
	<ul style="list-style-type: none"> Total lift is beyond pump's capability. 	<ul style="list-style-type: none"> Try to route piping to a lower level. If not possible, a larger pump may be required. Consult the factory.
	<ul style="list-style-type: none"> Pump impeller is jammed or volute casing is plugged. 	<ul style="list-style-type: none"> *Remove the pump from the basin. Detach the pump base and clean the area around the impeller. Reassemble and reinstall.
Pump runs periodically when fixtures are not in use.	<ul style="list-style-type: none"> Check valve was not installed, is stuck open or is leaking. 	<ul style="list-style-type: none"> Remove check valve(s) and examine for freedom of operation and proper installation.
	<ul style="list-style-type: none"> Fixtures are leaking. 	<ul style="list-style-type: none"> Repair fixtures as required to eliminate leakage.
Pump operates noisily.	<ul style="list-style-type: none"> Foreign objects in the impeller cavity. 	<ul style="list-style-type: none"> *Remove the pump from the basin. Detach the pump base and clean the area around the impeller. Reassemble and reinstall.
	<ul style="list-style-type: none"> Broken impeller. 	<ul style="list-style-type: none"> Consult the factory for information regarding replacement of impeller.
	<ul style="list-style-type: none"> Worn bearings. 	<ul style="list-style-type: none"> Return pump to the factory or authorized repair station for repair.
	<ul style="list-style-type: none"> Piping attachments to building are too rigid. 	<ul style="list-style-type: none"> Replace a portion of the discharge line with rubber hose or connector.

7. 2 Year Limited Warranty

***NOTE:** Liberty Pumps, Inc. assumes no responsibility for damage or injury due to disassembly in the field. Disassembly, other than at Liberty Pumps or its authorized service centers, automatically voids warranty.

Liberty Pumps, Inc. warrants that pumps of its manufacture are free from all factory defects in material and workmanship for a period of 2 years from the date of purchase. The date of purchase shall be determined by a dated sales receipt noting the model and serial number of the pump. The dated sales receipt must accompany the returned pump if the date of return is more than 2 years from the "CODE" (date of manufacture) number noted on the pump nameplate.

The manufacturer's obligation under this Warranty shall be limited to the repair or replacement of any parts found by the manufacturer to be defective, provided the part or assembly is returned freight prepaid to the manufacturer or its authorized service center, and provided that none of the following warranty-voiding characteristics are evident.

The manufacturer shall not be liable under this Warranty if the product has not been properly installed; if it has been disassembled, modified, abused or tampered with; if the electrical cord has been cut, damaged or spliced; if the pump discharge has been reduced in size; if the pump has been used in water temperatures above the advertised rating, or water containing sand, lime, cement, gravel or other abrasives; if the product has been used to pump chemicals or hydrocarbons; if a non-submersible motor has been subjected to excessive moisture; or if the label bearing the serial, model and code number has been removed. Liberty Pumps, Inc. shall not be liable for any loss, damage or expenses resulting from installation or use of its products, or for consequential damages, including costs of removal, reinstallation or transportation.

There is no other express warranty. All implied warranties, including those of merchantability and fitness for a particular purpose, are limited to two years from the date of purchase.

This Warranty contains the exclusive remedy of the purchaser, and, where permitted, liability for consequential or incidental damages under any and all warranties are excluded.



7000 Apple Tree Avenue
Bergen, NY 14416
Phone: (800) 543-2550
Fax: (585) 494-1839
www.libertypumps.com

Bombas Sumergibles Efluentes / de Achique para Trabajos Pesados

*No tire ni pierda este manual. Manténgalo junto a la instalación y consúltelo a menudo.

Modelos

Serie 250	1/3 HP
Serie 280	1/2 HP
Serie FL30	1/3 HP
Serie FL50	1/2 HP
Serie FL60	6/10 HP
Serie FL100	1 HP
Serie FL150	1-1/2 HP
Serie FL200	2 HP



Índice

- Información general
- Sistemas de achique y pozos
- Sistemas efluentes (para fangos)
- Servicio eléctrico y operación
- Mantenimiento y diagnóstico de problemas
- Garantía

Liberty Pumps®

7000 Apple Tree Avenue
Bergen, NY 14416
Teléfono: (800) 543-2550
Fax: (585) 494-1839
www.libertypumps.com



* La Serie FL60 es cCSA sólo

IMPORTANTE:

Apunte el modelo, el número de serie y el código que aparecen en la placa de la bomba antes de instalarla para que le sirvan de referencia en el futuro.

MODELO _____

SERIE _____

CÓDIGO _____

FECHA DE
INSTALACIÓN _____

1. Información general

Lea con atención estas instrucciones antes de instalar la bomba. Todas las bombas de Liberty se someten a pruebas en fábrica para garantizar un funcionamiento adecuado. Si se siguen estas instrucciones al pie de la letra, se eliminará la posibilidad de problemas potenciales de funcionamiento, proporcionando muchos años de servicio satisfactorio.

ADVERTENCIA

- **Riesgo de descarga eléctrica.** Desconecte la bomba siempre que vaya a moverla o a realizar algún ajuste.
- Sólo personal calificado podrá encargarse de instalar las conexiones y cables eléctricos necesarios para montar la bomba.
- Esta unidad viene con un conector a tierra y un enchufe con conexión a tierra. Para evitar descargas eléctricas, conecte la bomba a un tomacorriente a tierra de 15 amperios debidamente conectado a tierra.
- Cuando haya agua en el piso y deba desenchufar la bomba siempre use botas de goma.
- NO derive los cables de puesta a tierra ni retire las espigas a tierra de los enchufes.
- NO use cables de extensión.
- Con esta bomba hay que utilizar un circuito derivado independiente, debidamente conectado a tierra y con fusibles. La fuente de alimentación tendrá que tener suficiente capacidad para cumplir los requisitos de voltaje y amperaje indicados en la placa de la bomba.
- El tomacorriente deberá encontrarse al alcance del cable de alimentación de la bomba y a 1.2 metros como mínimo por encima del piso para evitar problemas en caso de inundación.
- Se deberá instalar la unidad según las disposiciones del Código eléctrico nacional (NEC) y los Códigos de plomería de Estados Unidos, además de todos los códigos y regulaciones locales que correspondan.
- Las bombas de drenaje y de alcantarillado a menudo manejan materiales capaces de provocar enfermedades. Use ropa protectora adecuada cuando trabaje en una bomba o una tubería usada.
- Nunca ingrese a una cubeta de bomba después que haya sido usada. Los sistemas de efluentes y de alcantarillado pueden emitir diferentes tipos de gases tóxicos.
- Manténgase alejado de la entrada de succión y de la salida de descarga. Para evitar heridas, nunca inserte los dedos en la bomba mientras se encuentre conectada.
- NO use este producto para líquidos inflamables o corrosivos.
- NO use este producto en aplicaciones en las que el contacto humano con el fluido bombeado sea común (por ejemplo, piscinas, fuentes, etc.).
- NUNCA deseche por el drenaje materiales tales como solvente para pintura u otros químicos, ya que pueden llegar a atacar y dañar los componentes de la bomba y potencialmente causar que el equipo no funcione bien o deje de funcionar.

PRECAUCIÓN

- **NO utilice las bombas en agua con temperatura superior a los 140°F (60°C).**
- NO utilice las bombas con lodo, arena, cemento, aceite o químicos.
- NO modifique la bomba de ninguna manera.
- NO levante ni transporte la bomba por medio del cable eléctrico.
- NO retire ninguna etiqueta de la bomba o cables.
- Si la bomba se instala durante una construcción antes de que haya energía eléctrica disponible, se deberá proteger de la intemperie para evitar que el agua ingrese a través del enchufe, etc.

Herramientas necesarias:

- Llave para tubos
- Desarmador normal
- Sierra para metales (para reemplazar o quitar los tubos rígidos existentes.)

Retiro de la bomba antigua

ADVERTENCIA

Desconecte la bomba del suministro eléctrico antes de manejarla.

Separe el tubo de descarga a nivel de la válvula de retención o de la unión. Si ni la válvula de retención ni la unión son parte del tubo de descarga existente, corte el tubo con una sierra para metales y quite la bomba. (Se necesitará instalar una unión o una válvula de retención a nivel de este corte.)

ESPECIFICACIONES DEL MODELO

Modelo	HP	Volts	Amps a carga total	Tratamiento de sólidos	Automática o manual*	Altura total con válvula cerrada	Configuración de fábrica del interruptor	
							Encendido	Apagado
250*	1/3	115	5.2	1.3 cm (1/2 plg.)	Manual*	5.5 m (18 pies)	*	*
251	1/3	115	5.2	1.3 cm (1/2 plg.)	Automática	5.5 m (18 pies)	27.9 cm (11 plg)	11.4 cm (4.5 plg)
253	1/3	115	5.2	1.3 cm (1/2 plg.)	Automática	5.5 m (18 pies)	27.9 cm (11 plg)	11.4 cm (4.5 plg)
257	1/3	115	5.2	1.3 cm (1/2 plg.)	Automática	5.5 m (18 pies)	17.8 cm (7 plg)	8.9 cm (3.5 plg)
280*	1/2	115	10	1.9 cm (3/4 plg.)	Manual*	11.3 m (37 pies)	*	*
281	1/2	115	10	1.9 cm (3/4 plg.)	Automática	11.3 m (37 pies)	34.3 cm (13.5 plg)	17.8 cm (7 plg)
283	1/2	115	10	1.9 cm (3/4 plg.)	Automática	11.3 m (37 pies)	34.3 cm (13.5 plg)	17.8 cm (7 plg)
287	1/2	115	10	1.9 cm (3/4 plg.)	Automática	11.3 m (37 pies)	24.1 cm (9.5 plg)	10.2 cm (4 plg)
280HV*	1/2	208-230	5	1.9 cm (3/4 plg.)	Manual*	11.3 m (37 pies)	*	*
283HV	1/2	208-230	5	1.9 cm (3/4 plg.)	Automática	11.3 m (37 pies)	34.3 cm (13.5 plg)	17.8 cm (7 plg)
287HV	1/2	208-230	5	1.9 cm (3/4 plg.)	Automática	11.3 m (37 pies)	24.1 cm (9.5 plg)	10.2 cm (4 plg)
FL31M*	1/3	115	13	1.9 cm (3/4 plg.)	Manual*	5.8 m (19 pies)	*	*
FL31A	1/3	115	13	1.9 cm (3/4 plg.)	Automática	5.8 m (19 pies)	30.5 cm (12 plg)	12.7 cm (5 plg)
FL32M*	1/3	208-230	7	1.9 cm (3/4 plg.)	Manual*	5.8 m (19 pies)	*	*
FL32A	1/3	208-230	7	1.9 cm (3/4 plg.)	Automática	5.8 m (19 pies)	30.5 cm (12 plg)	12.7 cm (5 plg)
FL51M*	1/2	115	12	1.3 cm (1/2 plg.)	Manual*	14.6 m (48 pies)	*	*
FL51A	1/2	115	12	1.3 cm (1/2 plg.)	Automática	14.6 m (48 pies)	30.5 cm (12 plg)	12.7 cm (5 plg)
FL52M*	1/2	208-230	7	1.3 cm (1/2 plg.)	Manual*	14.6 m (48 pies)	*	*
FL52A	1/2	208-230	7	1.3 cm (1/2 plg.)	Automática	14.6 m (48 pies)	30.5 cm (12 plg)	12.7 cm (5 plg)
FL61M*	6/10	115	13	1.3 cm (1/2 plg.)	Manual*	19.2 m (63 pies)	*	*
FL61A	6/10	115	13	1.3 cm (1/2 plg.)	Automática	19.2 m (63 pies)	30.5 cm (12 plg)	12.7 cm (5 plg)
FL62M*	6/10	208-230	7	1.3 cm (1/2 plg.)	Manual*	19.2 m (63 pies)	*	*
FL62A	6/10	208-230	7	1.3 cm (1/2 plg.)	Automática	19.2 m (63 pies)	30.5 cm (12 plg)	12.7 cm (5 plg)
FL102M*	1	208-230	12	1.9 cm (3/4 plg.)	Manual*	27.4 m (90 pies)	*	*
FL102A	1	208-230	12	1.9 cm (3/4 plg.)	Automática	27.4 m (90 pies)	38.1 cm (15 plg)	20.3 cm (8 plg)
FL103M*	1	208-230	9**	1.9 cm (3/4 plg.)	Manual*	27.4 m (90 pies)	*	*
FL104M*	1	440-480	4.5**	1.9 cm (3/4 plg.)	Manual*	27.4 m (90 pies)	*	*
FL152M*	1-1/2	208-230	15	1.9 cm (3/4 plg.)	Manual*	33.5 m (110 pies)	*	*
FL152A	1-1/2	208-230	15	1.9 cm (3/4 plg.)	Automática	33.5 m (110 pies)	38.1 cm (15 plg)	20.3 cm (8 plg)
FL153M*	1-1/2	208-230	10.6**	1.9 cm (3/4 plg.)	Manual*	33.5 m (110 pies)	*	*
FL154M*	1-1/2	440-480	5.3**	1.9 cm (3/4 plg.)	Manual*	33.5 m (110 pies)	*	*
FL202M*	2	208-230	15	1.9 cm (3/4 plg.)	Manual*	39.6 m (130 pies)	*	*
FL202A	2	208-230	15	1.9 cm (3/4 plg.)	Automática	39.6 m (130 pies)	38.1 cm (15 plg)	20.3 cm (8 plg)
FL203M*	2	208-230	10.6**	1.9 cm (3/4 plg.)	Manual*	39.6 m (130 pies)	*	*
FL204M*	2	440-480	5.3**	1.9 cm (3/4 plg.)	Manual*	39.6 m (130 pies)	*	*

* **Nota:** los modelos manuales (con el sufijo M) requieren un dispositivo o panel de control aprobado independiente para funcionar automáticamente. El funcionamiento de estos modelos dependerá del control seleccionado. Las especificaciones eléctricas del control seleccionado tendrán que corresponder con las de la bomba. Los modelos trifásicos requieren elementos de sobrecarga seleccionados o ajustados para cumplir con las instrucciones del panel o control.

2. Sistemas de achique y pozos

1. Para bombear aguas subterráneas se recomienda un sumidero con un diámetro mínimo de 35.56 cm (14 plg.). Con los modelos con flotador vertical (VMF), (257 y 287) se puede utilizar un sumidero con un diámetro mínimo de 25.40 cm (10 plg.) de diámetro; sin embargo, es preferible que sea más amplio, ya que de esta manera los ciclos de bombeo podrán ser más largos y se reducirá el número de veces que el interruptor tiene que entrar en funcionamiento. La profundidad mínima del sumidero es de 45.72 cm (18 plg.).
2. Si el sumidero no tiene un fondo cerrado, instale uno rígido y nivelado con hormigón armado o ladrillos. NO instale la bomba directamente sobre tierra, grava o escombros, ya que el rotor se puede desgastar en exceso y atascarse. **“The Brick”** (vendida por Liberty Pumps como pieza No. 4445000) es una plataforma estable premoldeada, diseñada para encajar en su bomba sumergible. La plataforma eleva la bomba 6 cm (2.5 plg.) sobre el fondo del sumidero, lo cual reduce la posibilidad de atascamiento por rocas o escombros. Para pedir el producto, contacte a su distribuidor local. Antes de instalar la bomba, quite todo escombros del fondo del sumidero. Es conveniente instalar una cubierta para el sumidero por motivos de seguridad y para evitar la entrada de objetos foráneos.
3. Instale la bomba en el sumidero de forma que el interruptor disponga de espacio suficiente y no se quede atascado en las paredes del sumidero. El flotador deberá poder moverse **libremente a lo largo de todo su recorrido** y no hacer contacto con el cuerpo de la bomba, tubos u otros objetos. Para conectar la tubería de descarga se incluye una conexión roscada de 3.81 cm (1-1/2 plg.). No reduzca el diámetro de descarga por debajo de esta medida. Se recomienda una tubería de PVC 40, aunque se pueden usar mangueras flexibles de forma provisional.
4. Conecte la tubería o la manguera de descarga a la bomba. **APRIETE LA CONEXIÓN SÓLO CON LA MANO.** Apretar de más puede provocar que la caja de la bomba se agriete. Instale una unión u otro medio para separar la línea de descarga justo encima del nivel del piso en caso de que sea necesario desmontar la bomba. Encima de la unión o en su lugar, se recomienda instalar una válvula de retención para evitar el contraflujo del agua después de cada ciclo de bombeo. (Todas las bombas efluentes y de achique de Liberty vienen con un purgador para evitar que se formen esclusas de aire. Es normal que salga una pequeña cantidad de agua pulverizada por este orificio cuando la bomba está en funcionamiento.
5. Conecte la tubería necesaria para llevar la descarga al lugar deseado. La descarga debe ser lo más corto posible con un número de giros mínimo. Verifique todas las conexiones.
6. Instale una unión u otro medio para separar la línea de descarga justo encima del nivel del piso en caso de que sea necesario desmontar la bomba. **Encima de la unión o en su lugar, se recomienda instalar una válvula de retención para evitar el contraflujo del agua después de cada ciclo de bombeo.**
7. Si se usa una válvula de retención, **hay que perforar un orificio para la esclusa de aire de 3 mm (1/8 plg.) en la tubería de descarga justo encima de la salida de descarga de la bomba para prevenir que se formen esclusas de aire en la bomba (vea la Fig. 1)**

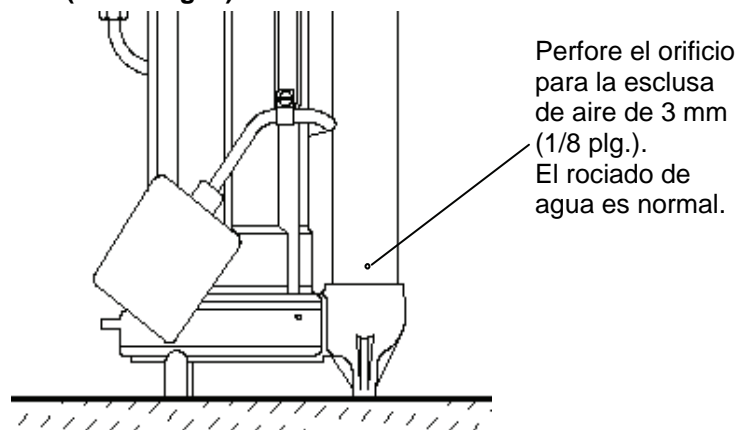


Fig. 1 – Posición del orificio para la esclusa de aire

8. Para mayor protección, considere agregar una bomba de respaldo como la **SJ10 SumpJet de Liberty**, además de un sistema de alarma como el **ALM-2 de Liberty** en aplicaciones donde la pérdida de funcionamiento de la bomba pueda resultar en daños a la propiedad. Si se utiliza una alarma, se deberá conectar a un circuito eléctrico separado.

3. Sistemas efluentes (para fangos)

No se recomienda el uso de los modelos de flotador magnético vertical (VMF) (257 y 287) como sistemas efluentes debido a que tienen un ciclo de encendido y apagado muy corto. En estos casos son más adecuados los modelos de flotador de ángulo ancho, ya que es más sencillo configurar su nivel de encendido y apagado.

La cubeta que se usa con sistemas efluentes tiene que estar sellada y ventilada de acuerdo a los códigos de sanidad y plomería. El tamaño de la cubeta y sus materiales dependen del tipo de sistema y de los códigos locales. Consulte a las autoridades locales antes de adquirir e instalar una cubeta. Siga las instrucciones de instalación del fabricante. Para que la bomba funcione correctamente, la cubeta deberá tener unas dimensiones mínimas de 45.72 cm (18 plg.) de diámetro y 60.96 cm (24 plg.) de profundidad, pero es preferible que la cubeta sea más grande para que los ciclos se alarguen y el interruptor dure más. La instalación se deberá realizar a una profundidad suficiente como para que todas las cañerías queden por debajo de la línea de penetración de la helada. Si esto no fuera posible, desmonte la válvula de retención y modifique el tamaño de la cubeta o ajuste el diferencial de la bomba para acomodar el contraflujo adicional.

ADVERTENCIA

Estas bombas no se deberán instalar en lugares clasificados como peligrosos según el código eléctrico nacional (NEC) de los Estados Unidos, ANSI/NFPA 70, ni donde lo prohíban los códigos locales.

- A. **Sistemas simples (una bomba) (Fig. 2):** Instale la bomba de forma que haya espacio suficiente entre las paredes de la cubeta y el flotador. El flotador deberá poder **moverse libremente a lo largo de todo su recorrido** y no hacer contacto con el cuerpo de la bomba, tubos u otros objetos. Si se va a utilizar un flotador o dispositivo de control siga las instrucciones que lo acompañan. Conecte la tubería de descarga a la salida roscada de la bomba. **IMPORTANTE: NO REDUZCA EL TAMAÑO DE LA TUBERÍA DE DESCARGA POR DEBAJO DEL TAMAÑO DE LA SALIDA DE LA BOMBA.** Comuníquese con Liberty Pumps o con una persona calificada si tiene preguntas sobre el tamaño de las tuberías y caudal apropiados. Monte la tapa de la cubeta y séllela bien.

Instalación de la descarga: Instale la línea de descarga después de instalar la bomba. Se deberá instalar una junta para facilitar el desmontaje de la bomba si es necesario. Se recomienda instalar una válvula de charnela de flujo libre después de la junta para evitar el contraflujo de líquido después de cada ciclo de bombeo. A continuación de la válvula de retención se deberá instalar una válvula de compuerta para poder limpiar periódicamente la de retención y desmontar la bomba. El resto de la línea de descarga deberá ser tan corto como sea posible con el mínimo número de giros para evitar la pérdida de carga por rozamiento. Comuníquese con Liberty Pumps o con una persona calificada si tiene preguntas sobre el tamaño de las tuberías y el caudal apropiados

(Todas las bombas efluentes y de achique de Liberty vienen con un purgador para evitar que se formen esclusas de aire. Es normal que salga una pequeña cantidad de agua pulverizada por este orificio cuando la bomba está en funcionamiento.

- B. **Sistemas dúplex (dos bombas) (vea la Fig. 3):** Coloque ambas bombas en el fondo de la cubeta. El control de dúplex incluye 3 ó 4 flotadores conectados a una de las tuberías de descarga o a una varilla independiente colgada de la tapa. Siga las instrucciones del

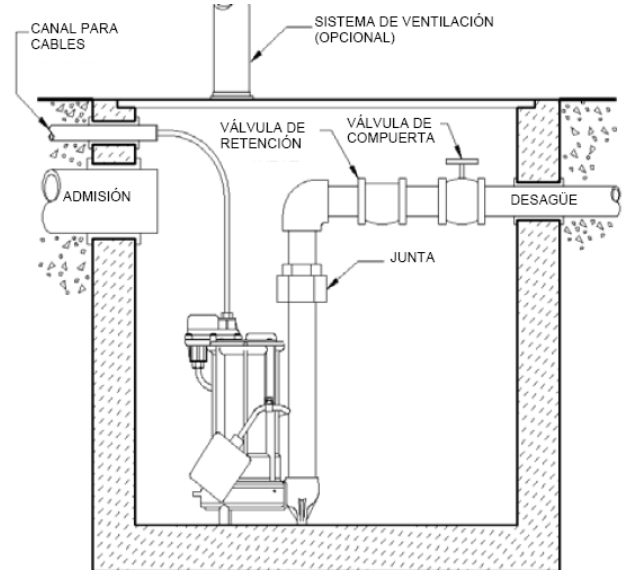


Fig. 2 – Instalación típica de un sistema simple

Ésta es sólo la instalación recomendada.

Pueden presentarse variaciones.

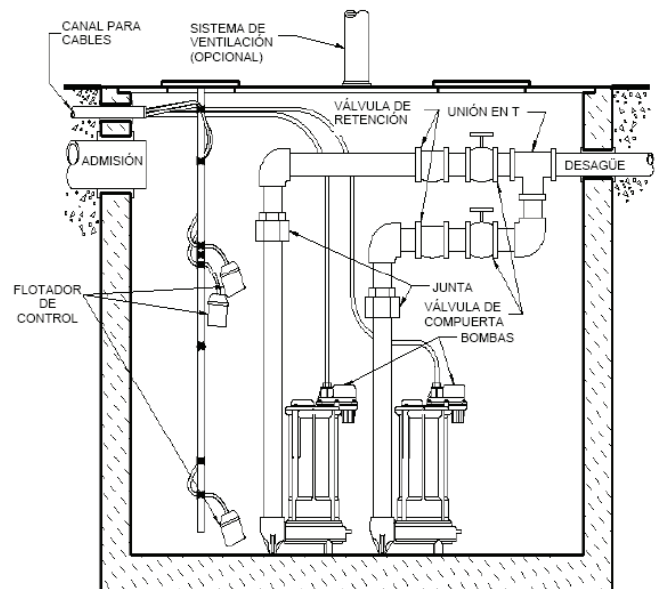


Fig. 3 – Instalación típica de un sistema simple

Ésta es sólo la instalación recomendada.

Pueden presentarse variaciones.

control dúplex. Cada flotador deberá poder **moverse libremente a lo largo de todo su recorrido** y no hacer contacto con el cuerpo de la bomba, tubos u otros objetos. Conecte una tubería de descarga distinta a cada bomba. **IMPORTANTE: NO REDUZCA EL TAMAÑO DE LA TUBERÍA DE DESCARGA POR DEBAJO DEL TAMAÑO DE LA SALIDA DE LA BOMBA.** Comuníquese con Liberty Pumps o con una persona calificada si tiene alguna pregunta sobre el tamaño de la tubería y del caudal. Para evitar el reciclaje de líquidos en instalaciones dúplex, habrá que instalar una válvula de retención en cada línea de descarga antes de unir las dos descargas en una línea común. Estas válvulas se pueden instalar dentro o fuera de la cubeta dependiendo del tamaño de esta última. Instale las tapas de la cubeta y séllelas apropiadamente.

Instalación de la descarga: Instale juntas o conectores flexibles para facilitar el desmontaje de la bomba cuando sea necesario. Se deben instalar válvulas de charnela de flujo libre en cada descarga después de la junta y antes de la válvula de compuerta para evitar el contraflujo de líquido o gas. Para evitar que el líquido de una bomba pase a la otra, será necesario instalar una válvula de retención en cada descarga antes de unirlos en una línea común. A continuación de la válvula de retención se deberá instalar una válvula de compuerta para poder limpiar periódicamente la de retención y desmontar la bomba. El resto del desagüe deberá ser tan corto como sea posible con el mínimo número de giros para evitar la pérdida de carga por rozamiento. Comuníquese con Liberty Pumps o con una persona calificada si tiene alguna pregunta sobre el tamaño de la tubería y del caudal. (Todas las bombas efluentes y de achique de Liberty vienen con un purgador para evitar que se formen esclusas de aire. Es normal que salga una pequeña cantidad de agua pulverizada por este orificio cuando la bomba está en funcionamiento.

4. Servicio eléctrico y operación

⚠ ADVERTENCIA

- **Riesgo de descargas eléctricas.** Desconecte la bomba siempre que vaya a moverla o a realizar algún ajuste.
- Sólo personal calificado podrá encargarse de instalar las conexiones y cables eléctricos necesarios para montar la bomba.
- Esta unidad viene con un conector a tierra y un enchufe con conexión a tierra. Para reducir el riesgo de electrocución, el conector de puesta a tierra tiene que estar conectado debidamente a un panel de control a tierra, o si cuenta con un enchufe a tierra tendrá que enchufarse a un tomacorriente conectado a tierra.
- NO derive los cables de puesta a tierra ni retire las espigas a tierra de los enchufes.
- NO use cables de extensión.
- Con esta bomba, hay que utilizar un circuito derivado independiente conectado a tierra y con fusibles. La fuente de alimentación tendrá que tener suficiente capacidad para cumplir los requisitos de voltaje y amperaje del motor, indicados en la placa de la bomba.
- El tomacorriente o panel deberá encontrarse al alcance del cable de alimentación de la bomba y a 1.22 metros (4 pies) como mínimo por encima del piso para evitar problemas en caso de inundación.
- Se deberá instalar la unidad según las disposiciones del Código eléctrico nacional (NEC) de Estados Unidos y todos los códigos y regulaciones locales que correspondan.

⚠ PRECAUCIÓN

Si la propiedad está expuesta a niveles altos de inundación, se debe instalar un segundo sistema de bombeo de reserva o una alarma independiente que notifique niveles altos de agua.

Todos los modelos automáticos de la Serie FL (designados con la letra A) y los modelos 253 y 283, vienen con un interruptor de flotador de fábrica. Estos modelos vienen con dos cables: uno al interruptor de flotador y el otro al motor. El cable del interruptor viene con un interruptor en serie, o cascada, en el que se puede enchufar el cable del motor. Esto permite la operación manual de la bomba.

Si se prefiere la operación manual, o falla el interruptor, el cable de la bomba se puede separar y enchufar en un tomacorriente, evitando de esta manera el interruptor.

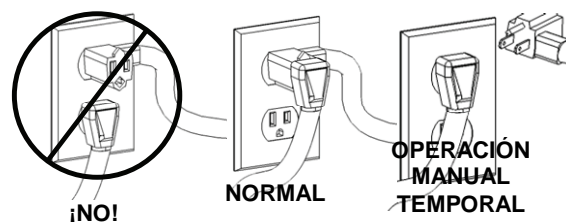


Fig. 4 – Operación manual temporal

Si se quiere activar la operación automática con el interruptor de Liberty, se deberán interconectar los dos cables y enchufarse a un tomacorriente con toma a tierra y fusible independiente y el amperaje apropiado para su modelo. (Consulte la Sección 1, Información general, o la placa de la bomba para informarse de las especificaciones eléctricas de su modelo.) Ambos cables cuentan con enchufes de 3 espigas y se deben enchufar en un tomacorriente trifilar con toma a tierra. **NO DESMONTE LAS ESPIGAS A TIERRA.**

ADVERTENCIA

Las bombas monofásicas de 208-230V sólo se deben operar sin el flotador con un disyuntor o panel de desconexión.

PRECAUCIÓN

No deje que la bomba funcione en seco.

Los niveles de encendido y apagado dependen del modelo. (La tabla de la página 3 especifica los niveles configurados en fábrica para cada modelo.) Para establecer otros diferenciales se puede amarrar el cable del interruptor a la tubería de descarga. **NOTA:** Se requiere un cable de 8.89 cm (3-1/2 plg.) desde el punto de amarre hasta la superficie superior del flotador para que el interruptor funcione correctamente. Si se va a utilizar un diferencial distinto al de fábrica, se deberá ajustar de forma que la bomba se apague cuando queden 8.89 cm (3 1/2 plg.) como mínimo de líquido en la cubeta para que el rotor permanezca sumergido en todo momento. **(Los interruptores de los modelos 251, 257, 281 y 287 vienen programados de fábrica y no se pueden cambiar.)**

Las bombas manuales funcionan con un control de nivel de líquido o control de motor aprobado con el valor nominal correcto que corresponda con la entrada del motor en amperios a carga total. Independientemente del modelo, cuando la bomba se apaga deberán quedar en la cubeta 8.90 cm (3-1/2 plg.) de líquido como mínimo para que el rotor permanezca sumergido.

NOTA: Para operación automática con dispositivos de control opcionales. Si la bomba va a funcionar con un panel de control simple o doble u otro dispositivo de control opcional, siga las instrucciones de instalación del control en cuestión y establezca las conexiones eléctricas indicadas. Algunos modelos pueden funcionar sin un control independiente.

ADVERTENCIA

Las bombas monofásicas de 208-230V sólo se deben operar sin el flotador con un disyuntor o panel de desconexión.

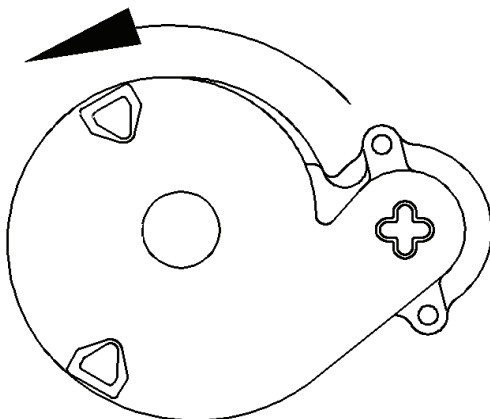
PRECAUCIÓN

No deje que la bomba funcione en seco.

Modelos trifásicos (FL103, FL104, FL153, FL154, FL203, FL204)

PRECAUCIÓN

En el caso de una bomba trifásica, compruebe que la rotación vaya en la dirección correcta antes de instalarla en la cubeta. (Fig. 5).



Vista inferior

Fig. 5 – Rotación correcta del rotor, modelos trifásicos

Si se trata de una bomba trifásica, compruebe que la rotación vaya en la dirección correcta antes de instalarla en la cubeta. Invierta dos de los tres conectores de alimentación de la bomba para cambiar la rotación. Marque los cables después de la instalación para poder volver a conectarlos.

Si la bomba va a estar cableada directamente a un dispositivo de control o caja de conexión y se hace necesario retirar los enchufes, la labor la deberá llevar a cabo un electricista certificado según el Código eléctrico nacional de Estados Unidos y los códigos locales. Vea la figura 6 para encontrar instrucciones para cablear directamente una bomba automática monofásica.

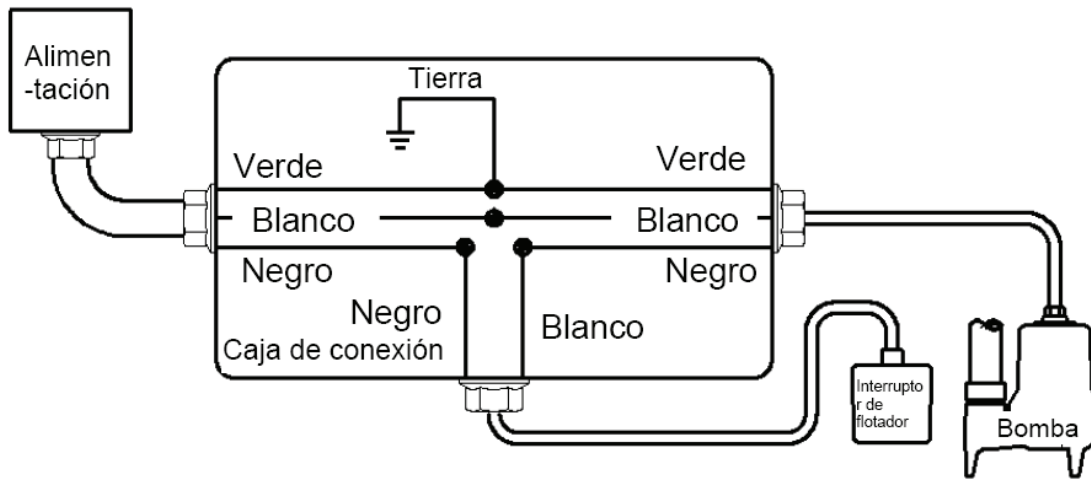


Fig. 6 – Cableado directo de una bomba automática monofásica de 120V o 208-230V

ADVERTENCIA

Para instalaciones de 208-230V: instale un disyuntor bipolar cerca de la bomba. Un lado de la línea que va a la bomba siempre está caliente o activo, aunque el interruptor de flotador esté en la posición de apagado. Utilice un disyuntor bipolar para que ambos extremos calientes se desenergicen.

5. Mantenimiento

ADVERTENCIA

Riesgo de descargas eléctricas. Desconecte la bomba siempre que vaya a moverla o a realizar algún ajuste.

ADVERTENCIA

Siempre desconecte la bomba de la fuente de alimentación antes de manipularla. Esta guía está diseñada para ayudar a identificar las razones de posibles problemas de operación. Esto no es una guía de servicio. **Desmantelar la bomba anulará la garantía.** Cualquier otro tipo de servicio a la bomba, aparte de la simple limpieza de la entrada o del impulsor, deberá referirse al fabricante o a sus centros de servicio autorizados.

- 1. Modelos sumergibles:** Los modelos de bombas poseen cojinetes permanentemente lubricados y no necesitan lubricación adicional.
- 2. La bomba deberá ser revisada a menudo para detectar escombros y/o acumulaciones que puedan interferir con la operación de la bomba o del interruptor de flotador.** El flotador debe ser capaz de moverse libremente a lo largo de todo su recorrido sin restricción alguna. Para asegurar el funcionamiento adecuado, vierta suficiente agua en el sumidero para activar la bomba periódicamente (por lo menos una vez cada tres meses) cuando no se utilice la bomba de manera frecuente.

NOTA: El fabricante no asume ninguna responsabilidad por daños o lesiones resultantes por desarmar la bomba en el campo.

6. Diagnóstico de problemas

Problema	Causa	Solución
La bomba no funciona.	<ul style="list-style-type: none"> Se ha fundido un fusible o el flujo eléctrico se ha visto interrumpido de algún otro modo; tensión incorrecta. 	<ul style="list-style-type: none"> Compruebe que la bomba esté enchufada. Haga que un electricista compruebe que todos los cables estén correctamente conectados y la capacidad sea la necesaria.
	<ul style="list-style-type: none"> El interruptor no puede cambiar a la posición de encendido debido a una interferencia con el lateral del tanque u otra obstrucción. 	<ul style="list-style-type: none"> Coloque la bomba o el interruptor de forma que cuente con suficiente espacio para funcionar libremente.
	<ul style="list-style-type: none"> Líquido insuficiente. 	<ul style="list-style-type: none"> El líquido debe subir lo suficiente como para activar el interruptor.
	<ul style="list-style-type: none"> Interruptor defectuoso. 	<ul style="list-style-type: none"> Reemplace el interruptor.
La bomba no se apaga.	<ul style="list-style-type: none"> El interruptor no puede cambiar a la posición de apagado debido a una interferencia con el lateral del tanque u otra obstrucción. 	<ul style="list-style-type: none"> Coloque la bomba o el interruptor de forma que cuente con suficiente espacio para funcionar libremente.
	<ul style="list-style-type: none"> Interruptor defectuoso. 	<ul style="list-style-type: none"> Reemplace el interruptor.
La bomba funciona o zumba pero no bombea.	<ul style="list-style-type: none"> La descarga está atascada. 	<ul style="list-style-type: none"> Compruebe que no haya atascos en la línea de descarga, como puede ser hielo si la línea pasa por áreas frías.
	<ul style="list-style-type: none"> Compruebe que la válvula no se haya quedado cerrada o esté instalada al revés. 	<ul style="list-style-type: none"> Saque la válvula de retención y asegúrese de que funciona sin impedimentos y fue instalada correctamente.
	<ul style="list-style-type: none"> La válvula de compuerta o la de bola está cerrada. 	<ul style="list-style-type: none"> Abra la válvula de compuerta o la de bola.
	<ul style="list-style-type: none"> La elevación total es superior a la capacidad de la bomba. 	<ul style="list-style-type: none"> Dirija las tuberías a una altura inferior. Si esto no es posible, necesitará adquirir otra bomba de mayor capacidad. Consulte a la fábrica.
	<ul style="list-style-type: none"> El rotor de la bomba está atascado o la cubierta de voluta está taponada. 	<ul style="list-style-type: none"> *Saque la bomba de la cubeta. Separe la base de la bomba y limpie la zona que rodea al rotor. Monte la bomba y vuélvala a instalar.
La bomba se activa cuando la maquinaria no está en uso.	<ul style="list-style-type: none"> No hay instalada una válvula de retención, se queda abierta o tiene una fuga. 	<ul style="list-style-type: none"> Saque la válvula de retención y asegúrese de que funciona sin impedimentos y que haya sido instalada correctamente.
	<ul style="list-style-type: none"> Las piezas gotean. 	<ul style="list-style-type: none"> Repare las piezas para eliminar las fugas.
La bomba hace demasiado ruido.	<ul style="list-style-type: none"> Material foráneo en la cavidad del rotor. 	<ul style="list-style-type: none"> *Saque la bomba de la cubeta. Separe la base de la bomba y limpie la zona que rodea al rotor. Monte la bomba y vuélvala a instalar.
	<ul style="list-style-type: none"> Rotor roto. 	<ul style="list-style-type: none"> La fábrica le puede informar sobre cómo reemplazar el rotor.
	<ul style="list-style-type: none"> Cojinetes desgastados. 	<ul style="list-style-type: none"> Envíe la bomba a reparar a la fábrica o a un centro de reparación autorizado.
	<ul style="list-style-type: none"> Las conexiones de las tuberías al edificio son demasiado rígidas. 	<ul style="list-style-type: none"> Cambie una parte de la línea de descarga con una manguera o conector de caucho.

7. Garantía limitada de 2 años

***NOTA:** Liberty Pumps, Inc. no asume ninguna responsabilidad por desperfectos o lesiones resultantes del desmontaje de la bomba en el campo. Si el desmontaje de la bomba no lo lleva a cabo Liberty Pumps o uno de sus centros de servicio autorizados, la garantía quedará anulada.

Liberty Pumps, Inc. garantiza que las bombas que fabrica están libres de defectos en los materiales y la mano de obra por un período de 2 años a partir de la fecha de compra. La fecha de compra se determinará con el recibo de compra fechado, que incluya el modelo y el número de serie de la bomba. Este recibo deberá acompañar a la bomba si la fecha de devolución ocurre más de 2 años después de la fecha de fabricación (código-CODE) indicada en la placa de la unidad.

Las obligaciones del fabricante bajo esta garantía se limitarán a la reparación o el reemplazo de las piezas que el fabricante determine que son defectuosas, siempre que la pieza o el ensamblaje se devuelva con el porte pagado al fabricante o a uno de sus centros de servicio autorizados y que no se evidencie ninguna de las siguientes características, lo que supondría la anulación de la garantía.

El fabricante no tendrá obligación alguna bajo esta garantía si el producto no ha sido instalado correctamente; si ha sido desmontado, modificado, abusado o forzado; si el cordón eléctrico se ha cortado, dañado o empalmado; si se redujo el tamaño de la descarga de la bomba; si la bomba se usó con agua más caliente de la temperatura nominal, o agua con arena, cal, cemento, grava u otros elementos abrasivos; si se utilizó para bombear productos químicos o hidrocarburos; si un motor no sumergible fue sometido a exceso de humedad; o si se retiró la etiqueta con el número de serie, modelo y código. Liberty Pumps, Inc. no se hace responsable de pérdidas, daños o gastos que resulten por la instalación o uso de sus productos, o por daños emergentes, incluidos los costos de desmontar, reinstalar o transportar la unidad.

No se ofrece ninguna otra garantía expresa. Todas las garantías implícitas, incluidas las de comerciabilidad y adecuación para un propósito determinado, están limitadas a un plazo de dos años a partir la fecha de compra.

Esta garantía representa el único remedio del comprador y, siempre que se permita, se excluye toda responsabilidad por daños emergentes y fortuitos bajo toda otra garantía.



7000 Apple Tree Avenue
Bergen, NY 14416
Teléfono: (800) 543-2550
Fax: (585) 494-1839
www.libertypumps.com

Pompes submersibles à gros débit pour effluents ou assèchement

*Ne pas jeter ni perdre ce manuel. Conserver à proximité de l'installation et consulter souvent.

Modèles

Série 250	1/3 HP
Série 280	1/2 HP
Série FL30	1/3 HP
Série FL50	1/2 HP
Série FL60	6/10 HP
Série FL100	1 HP
Série FL150	1-1/2 HP
Série FL200	2 HP



Table des matières

- Renseignements généraux
- Pour évacuation des effluents ou assèchement
- Évacuation des effluents
- Entretien et fonctionnement des composants électriques
- Entretien et guide de dépannage
- Garantie

Liberty Pumps®

7000, avenue Apple Tree
Bergen (NY) 14416
Téléphone : (800) 543-2550
Télécopieur : (585) 494-1839
www.libertypumps.com



IMPORTANT :

Avant l'installation, noter les numéros de modèle, de série et de code qui figurent sur la plaque signalétique pour éventuellement s'y référer.

MODÈLE _____

SÉRIE _____

CODE _____

DATE D'INSTALLATION _____

*FL60 Feuilleton est cCSA seulement

1. Renseignements généraux

Lire attentivement les directives avant d'effectuer l'installation. Chaque pompe de marque Liberty est testée individuellement en usine pour assurer son bon fonctionnement. Le fait de suivre ces directives à la lettre éliminera les risques de problèmes de fonctionnement et assurera des années de service sans soucis.

MISE EN GARDE

- **Danger d'électrocution.** Toujours débrancher la pompe de l'alimentation électrique avant de la manipuler ou d'y effectuer des réglages.
- Les raccords électriques et le câblage pour l'installation de la pompe ne devraient être effectués que par des professionnels qualifiés.
- Cette pompe est fournie avec un conducteur de mise à la terre et une fiche de branchement de type mise à la terre. Afin de réduire les dangers d'électrocution, s'assurer que celle-ci est raccordée seulement à une prise de 15 ampères correctement mise à la terre.
- Toujours porter des bottes de caoutchouc lorsqu'il y a de l'eau sur le plancher et qu'il est nécessaire de débrancher la pompe.
- NE PAS dévier les fils de mise à la terre ou retirer la broche de mise à la terre des fiches de branchement.
- NE PAS utiliser de rallonge.
- Cette pompe nécessite un circuit de dérivation dédié correctement protégé par un fusible et mis à la terre. S'assurer que la tension et l'intensité du courant électrique de la source d'alimentation électrique sont suffisantes pour répondre aux exigences de la pompe, telles qu'indiquées sur la plaque signalétique.
- La prise électrique doit se trouver à la portée du cordon d'alimentation de la pompe et à au moins 1,2 m (4 pi) au-dessus du niveau du plancher pour minimiser les dangers possibles pouvant être causés par une inondation.
- L'installation doit être faite en respectant le Code national de l'électricité, le Uniform Plumbing Code, le Code international de plomberie ainsi que tous les codes locaux et règlements en vigueur.
- Les pompes d'assèchement et de système d'égout traitent souvent des matières pouvant causer des maladies. Porter des vêtements protecteurs adéquats pour manipuler une pompe ou de la tuyauterie ayant déjà servi.
- Ne jamais pénétrer dans le réservoir de pompage après qu'il ait servi. Les égouts et effluents peuvent émettre des gaz toxiques.
- Demeurer à l'écart des ouvertures d'aspiration et d'évacuation. Afin de prévenir les blessures, ne jamais insérer les doigts dans la pompe alors qu'elle est branchée.
- NE PAS utiliser ce produit pour pomper des liquides inflammables ou corrosifs.
- NE PAS utiliser ce produit pour les installations où le contact humain avec les liquides pompés est fréquent (piscines, fontaines, etc.)
- NE JAMAIS disposer de matériaux comme du solvant à peinture ou d'autres produits chimiques en les vidant dans l'avaloir, car ils peuvent attaquer chimiquement et endommager les composants de la pompe, causant éventuellement son mauvais fonctionnement ou sa défaillance.

AVERTISSEMENT

- **NE PAS utiliser ces pompes dans de l'eau dont la température est supérieure à 60 °C (140 °F)**
- NE PAS utiliser de pompes avec de la boue, du sable, du ciment, du pétrole ou d'autres produits chimiques.
- NE PAS modifier les pompes, de quelque manière que ce soit.
- NE PAS soulever ou transporter la pompe par son cordon électrique.
- NE PAS retirer les étiquettes de la pompe ou des cordons.
- Si la pompe est installée durant la construction, avant que l'alimentation électrique ne soit disponible, il est important de la garder à l'abri afin d'empêcher que de l'eau ne pénètre par l'extrémité du cordon électrique, etc.

Outils nécessaires :

- clé à tuyau;
- tournevis ordinaire;
- scie à métaux (pour remplacer ou retirer le tuyau rigide existant.)

Retrait de l'ancienne pompe :

MISE EN GARDE

Débrancher la pompe de sa source d'alimentation électrique avant d'en effectuer la manipulation.

Séparer le tuyau d'évacuation vis-à-vis du clapet antiretour ou du raccord union. Si le tuyau d'évacuation en place ne comprend ni clapet antiretour ni raccord union, couper le tuyau avec une scie à métaux et retirer la pompe (il sera nécessaire d'installer un clapet antiretour ou un raccord union à l'endroit de cette coupure).

CARACTÉRISTIQUES PAR MODÈLE

Modèle	HP	Volts	Intensité maximale	Tolérance des solides	Automatique ou manuel*	Hauteur de chute d'arrêt	Réglage de l'interrupteur en usine	
							Démarrage	Arrêt
250*	1/3	115	5,2	13 mm (½ po)	Manuel*	5,5 m (18 pi)	*	
251	1/3	115	5,2	13 mm (½ po)	Automatique	5,5 m (18 pi)	28 cm (11 po)	11,4 cm (4½ po)
253	1/3	115	5,2	13 mm (½ po)	Automatique	5,5 m (18 pi)	28 cm (11 po)	11,4 cm (4½ po)
257	1/3	115	5,2	13 mm (½ po)	Automatique	5,5 m (18 pi)	17,8 cm (7 po)	8,9 cm (3½ po)
280*	1/2	115	10	19 mm (¾ po)	Manuel*	11,3 m (37 pi)	*	
281	1/2	115	10	19 mm (¾ po)	Automatique	11,3 m (37 pi)	34,3 cm (13½ po)	17,8 cm (7 po)
283	1/2	115	10	19 mm (¾ po)	Automatique	11,3 m (37 pi)	34,3 cm (13½ po)	17,8 cm (7 po)
287	1/2	115	10	19 mm (¾ po)	Automatique	11,3 m (37 pi)	24,1 cm (9½ po)	10,2 cm (4 po)
280HV*	1/2	208-230	5	19 mm (¾ po)	Manuel*	11,3 m (37 pi)	*	
283HV	1/2	208-230	5	19 mm (¾ po)	Automatique	11,3 m (37 pi)	34,3 cm (13½ po)	17,8 cm (7 po)
287HV	1/2	208-230	5	19 mm (¾ po)	Automatique	11,3 m (37 pi)	24,1 cm (9½ po)	10,2 cm (4 po)
FL31M*	1/3	115	13	19 mm (¾ po)	Manuel*	5,8 m (19 pi)	*	
FL31A	1/3	115	13	19 mm (¾ po)	Automatique	5,8 m (19 pi)	30,5 cm (12 po)	12,7 cm (5 po)
FL32M*	1/3	208-230	7	19 mm (¾ po)	Manuel*	5,8 m (19 pi)	*	
FL32A	1/3	208-230	7	19 mm (¾ po)	Automatique	5,8 m (19 pi)	30,5 cm (12 po)	12,7 cm (5 po)
FL51M*	1/2	115	12	13 mm (½ po)	Manuel*	14,6 m (48 pi)	*	
FL51A	1/2	115	12	13 mm (½ po)	Automatique	14,6 m (48 pi)	30,5 cm (12 po)	12,7 cm (5 po)
FL52M*	1/2	208-230	7	13 mm (½ po)	Manuel*	14,6 m (48 pi)	*	
FL52A	1/2	208-230	7	13 mm (½ po)	Automatique	14,6 m (48 pi)	30,5 cm (12 po)	12,7 cm (5 po)
FL61M*	6/10	115	13	13 mm (½ po)	Manuel*	19,2 m (63 pi)	*	
FL61A	6/10	115	13	13 mm (½ po)	Automatique	19,2 m (63 pi)	30,5 cm (12 po)	12,7 cm (5 po)
FL62M*	6/10	208-230	7	13 mm (½ po)	Manuel*	19,2 m (63 pi)	*	
FL62A	6/10	208-230	7	13 mm (½ po)	Automatique	19,2 m (63 pi)	30,5 cm (12 po)	12,7 cm (5 po)
FL102M*	1	208-230	12	19 mm (¾ po)	Manuel*	27,4 m (90 pi)	*	*
FL102A	1	208-230	12	19 mm (¾ po)	Automatique	27,4 m (90 pi)	38,1 cm (15 po)	20,3 cm (8 po)
FL103M*	1	208-230	9 **	19 mm (¾ po)	Manuel*	27,4 m (90 pi)	*	*
FL104M*	1	440-480	4.5 **	19 mm (¾ po)	Manuel*	27,4 m (90 pi)	*	*
FL152M*	1-1/2	208-230	15	19 mm (¾ po)	Manuel*	33,5 m (110 pi)	*	*
FL152A	1-1/2	208-230	15	19 mm (¾ po)	Automatique	33,5 m (110 pi)	38,1 cm (15 po)	20,3 cm (8 po)
FL153M*	1-1/2	208-230	10.6 **	19 mm (¾ po)	Manuel*	33,5 m (110 pi)	*	*
FL154M*	1-1/2	440-480	5.3 **	19 mm (¾ po)	Manuel*	33,5 m (110 pi)	*	*
FL202M*	2	208-230	15	19 mm (¾ po)	Manuel*	39,6 m (130 pi)	*	*
FL202A	2	208-230	15	19 mm (¾ po)	Automatique	39,6 m (130 pi)	38,1 cm (15 po)	20,3 cm (8 po)
FL203M*	2	208-230	10.6 **	19 mm (¾ po)	Manuel*	39,6 m (130 pi)	*	*
FL204M*	2	440-480	5.3 **	19 mm (¾ po)	Manuel*	39,6 m (130 pi)	*	*

* **Remarque** : Les modèles manuels (suffixe « M ») et les modèles triphasés, tel que décrits ci-dessus, nécessitent un dispositif ou un panneau indépendant de commande de pompe approuvé pour fonctionner automatiquement. Le fonctionnement de ces modèles variera en fonction du dispositif de commande choisi. S'assurer que les caractéristiques électriques du dispositif de commande choisi correspondent bien aux caractéristiques de la pompe.

2. Évacuation des effluents ou assèchement

1. Dans le cas d'installations ordinaires de pompage d'eau dans le sol, il est recommandé d'installer un puisard d'un diamètre d'au moins 35,6 cm (14 po). On peut utiliser les modèles (VMF) à flotteur vertical (257 et 287) avec un puisard d'un diamètre minimum de 25,4 cm (10 po); cependant, il est préférable que le diamètre du puits soit plus important afin de permettre que les cycles de la pompe soient plus longs et réduire le fonctionnement de l'interrupteur. Le puisard devrait avoir une profondeur d'au moins 45,7 cm (18 po).
2. Si le puits n'est pas déjà fermé au bas, fournir une base solide et au niveau en brique ou en béton. NE PAS placer la pompe directement sur de la terre, du gravier ou des débris susceptibles de causer une usure prématurée du rotor et même de le bloquer. « **The Brick** » (vendu par Liberty Pumps, pièce n° 4445000) est une plateforme prémoulée stable conçue pour l'installation de votre pompe submersible. Elle soulève la pompe de 6,35 cm (2,5 po) du fonds du puisard, réduisant ainsi les risques d'obstruction causée par les cailloux et les débris. Communiquer avec le distributeur local pour commander. Retirer tous les débris du fond du puisard avant l'installation de la pompe. On suggère l'installation d'un couvercle de puisard pour plus de sécurité et empêcher que des corps étrangers tombent dans le puits.
3. Placer la pompe dans le puits en s'assurant que l'interrupteur ait suffisamment de dégagement et ne risque pas de s'accrocher à la paroi latérale du puits. Le flotteur doit pouvoir **se déplacer librement sur tout son parcours**, sans contact avec le corps de la pompe, la tuyauterie ou tout autre objet. Un raccord d'évacuation fileté de 1½ po est fourni pour raccorder le tuyau d'évacuation. Ne pas installer de tuyau d'évacuation d'un diamètre inférieur à 1½ po. Il est recommandé d'utiliser du tuyau de PVC de nomenclature 40; cependant, on peut utiliser un ensemble de tuyau d'évacuation souple pour les installations temporaires.
4. Raccorder le tuyau d'évacuation temporaire ou permanent à la sortie fileté de la pompe. **RESSERRER À LA MAIN SEULEMENT**. Trop serrer peut endommager le boîtier de la pompe. Installer un raccord union ou autre dispositif permettant de séparer la canalisation d'évacuation juste au-dessus du plancher, pour faciliter le retrait de la pompe si nécessaire. On recommande l'installation d'un clapet antiretour après le raccord union ou à sa place afin de prévenir le refoulement du liquide après chaque cycle de la pompe. (Toutes les pompes à effluents ou assèchement Liberty sont munies d'un orifice d'évacuation de l'air pour prévenir la formation de poches d'air. Une légère vaporisation d'eau par cet orifice est normale lorsque la pompe fonctionne.)
5. Raccorder, au besoin, un tuyau supplémentaire pour diriger l'évacuation à l'endroit désiré. La conduite d'évacuation devrait être la plus courte possible et comporter un nombre minimum de virages. Vérifier l'étanchéité de tous les joints des raccordements.
6. Installer un raccord union ou autre dispositif permettant de séparer la canalisation d'évacuation juste au-dessus du plancher, pour faciliter le retrait de la pompe si nécessaire. **On recommande l'installation d'un clapet antiretour après le raccord union ou à sa place afin de prévenir le refoulement du liquide après chaque cycle de la pompe.**
7. Lorsqu'on utilise un clapet antiretour, **il est recommandé de percer un orifice d'évacuation de 3 mm (1/8 po) dans le tuyau d'évacuation, juste au-dessus de la sortie de la pompe, afin de prévenir la formation de poches d'air (voir fig. 1).**

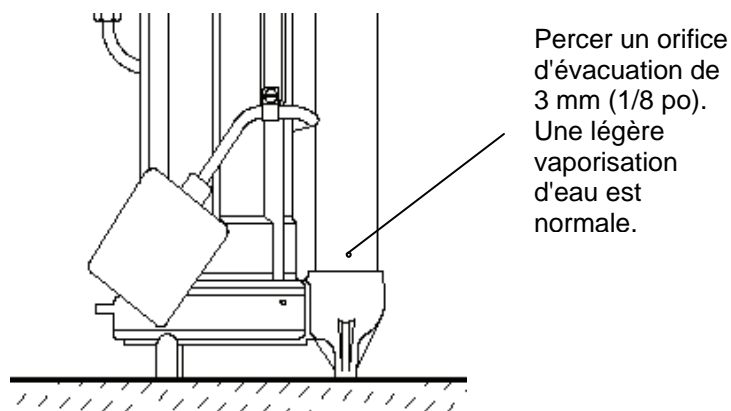


Fig. 1- Emplacement de l'orifice d'évacuation.

8. Pour plus de protection, envisager l'ajout d'une pompe de secours, comme une **pompe d'assèchement Liberty SJ10 SumpJet**, ainsi que d'une alarme, comme le modèle **Liberty ALM-2**, pour les installations où une panne de la pompe risque de causer des dommages matériels. Lorsqu'une alarme est utilisée, elle doit être raccordée à un circuit électrique distinct.

3. Évacuation des effluents

L'utilisation des modèles (VMF) à flotteur vertical magnétique (257 et 287) n'est pas recommandée pour pomper les effluents en raison de leur court cycle de marche/arrêt. Les modèles à flotteur à grand angle sont plus indiqués pour de telles utilisations et se règlent facilement à différents niveaux de marche/d'arrêt.

Le bassin nécessaire pour les utilisations de pompage d'effluents doit être étanche et ventilé afin de respecter les normes des codes de plomberie et de santé publique. Les dimensions et matériaux adéquats pour les utilisations de pompage d'effluents varient en fonction du type de système de collecte des effluents et les codes locaux. Vérifier les codes locaux en vigueur avant d'acheter et installer le bassin. Suivre les directives du fabricant pour installer un bassin en particulier. Il est nécessaire que le bassin ait un diamètre minimum de 45,7 cm (18 po) et une profondeur de 61 cm (24 po) pour que la pompe fonctionne; cependant, il est préférable d'utiliser un plus gros bassin afin de permettre que les cycles de la pompe soient plus longs et augmenter la durée de vie utile de l'interrupteur. L'installation doit être suffisamment profonde pour assurer que toute la plomberie se trouve sous la profondeur maximale de la pénétration du gel. Si c'est impossible, retirer le clapet de non-retour et corriger la taille du bassin et/ou ajuster le différentiel du compartiment pour recevoir le volume supplémentaire de refoulement d'eau.



Cette pompe ne doit pas être installée dans un endroit classé dangereux selon la norme ANSI/NFPA 70 du NEC, ou lorsque les codes locaux l'interdisent.

- A. **Systèmes simples (une pompe) (voir fig. 2) :** Mettre la pompe en place en assurant suffisamment de dégagement du flotteur par rapport à la paroi latérale du bassin. Le flotteur doit pouvoir **se déplacer librement sur tout son parcours**, sans contact avec le corps de la pompe, la tuyauterie ou tout autre objet. Lorsqu'on utilise un dispositif de commande facultatif ou un flotteur, suivre les directives d'installation qui accompagnent le dispositif facultatif. Raccorder le tuyau d'évacuation à la sortie fileté de la pompe. **IMPORTANT : NE PAS INSTALLER DE TUYAU D'ÉVACUATION D'UNE DIMENSION INFÉRIEURE À LA SORTIE DE LA POMPE.** Communiquer avec Liberty Pumps ou un autre spécialiste pour toute question au sujet des

dimensions de tuyaux et débits adéquats. Installer le couvercle du bassin, en s'assurant qu'il est bien étanche.

Installation du tuyau d'évacuation : une fois la pompe fixée, installer le tuyau d'évacuation. Il est conseillé d'installer un raccord union pour faciliter le retrait de la pompe si nécessaire. On recommande l'installation d'un clapet antiretour basculant à écoulement libre après le raccord union afin de prévenir le refoulement du liquide après chaque cycle de la pompe. Un robinet-vanne doit suivre le clapet antiretour afin de permettre le nettoyage périodique du clapet antiretour ou le retrait de la pompe. Le reste de la canalisation d'évacuation devrait être le plus court possible et comporter un nombre minimum de virages, afin de réduire la perte de puissance due à la friction. Communiquer avec Liberty Pumps ou un autre spécialiste pour toute question au sujet des dimensions de tuyaux et débits adéquats.

(Toutes les pompes à effluents ou assèchement Liberty sont munies d'un orifice d'évacuation de l'air pour prévenir la formation de poches d'air. Une légère vaporisation d'eau par cet orifice est normale lorsque la pompe fonctionne.)

- B. **Systèmes doubles (deux pompes) (voir fig. 3) :** Placer les deux pompes au fond du bassin. La commande double utilisée comprendra 3 ou 4 flotteurs qui seront soit fixés à un tuyau d'évacuation ou encore à une tige indépendante ou à un support. Suivre les

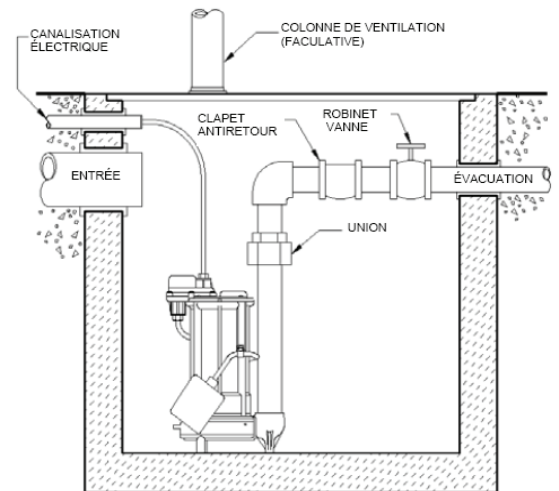


Fig. 2 – Installation type du système à une pompe
Il s'agit d'une forme d'installation recommandée fournie à titre d'exemple.

Les installations particulières peuvent varier.

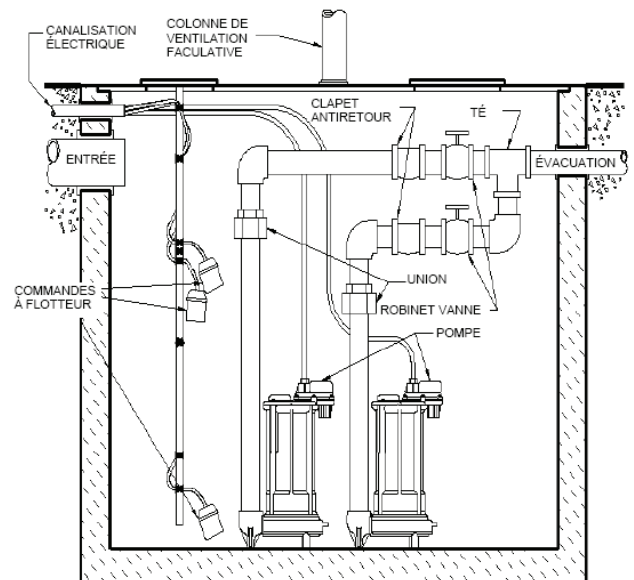


Fig. 3 – Installation type du système double
Il s'agit d'une forme d'installation recommandée fournie à titre d'exemple.

Les installations particulières peuvent varier.

instructions fournies par le fabricant du dispositif de commande double. Chaque flotteur doit pouvoir **se déplacer librement sur tout son parcours**, sans contact avec le corps de la pompe, la tuyauterie ou tout autre objet. Raccorder un tuyau d'évacuation différent à chaque pompe. **IMPORTANT : NE PAS INSTALLER DE TUYAU D'ÉVACUATION D'UNE DIMENSION INFÉRIEURE À LA SORTIE DE LA POMPE.** Communiquer avec Liberty Pumps ou un autre spécialiste pour toute question au sujet des dimensions de tuyaux et débits adéquats. Pour éliminer la recirculation des liquides dans les installations à deux pompes, il est nécessaire d'installer un clapet antiretour sur chaque tuyau d'évacuation avant de raccorder les deux tuyaux à la même canalisation commune. Les clapets antiretour peuvent être installés à l'intérieur ou à l'extérieur du bassin, selon sa hauteur. Installer les couvercles du bassin, en s'assurant qu'ils sont bien étanches.

Installation du tuyau d'évacuation : Il est conseillé d'installer des raccords unions ou flexibles pour faciliter le retrait de la pompe si nécessaire. On recommande l'installation d'un clapet antiretour basculant à écoulement libre sur chaque tuyau d'évacuation, après le raccord union, afin de prévenir le refoulement de liquide ou de gaz. Pour éliminer la recirculation des liquides d'une pompe à l'autre, il est nécessaire d'installer un clapet antiretour sur chaque tuyau d'évacuation avant de raccorder les deux tuyaux à la canalisation commune. On recommande l'installation d'un robinet-vanne ou clapet à bille doit suivre le clapet antiretour afin de permettre le nettoyage périodique du clapet antiretour ou le retrait de la pompe. Le reste de la canalisation d'évacuation devrait être le plus court possible et comporter un nombre minimum de virages, afin de réduire la perte de puissance due à la friction. Communiquer avec Liberty Pumps ou un autre spécialiste pour toute question au sujet des dimensions de tuyaux et débits adéquats. (Toutes les pompes à effluents ou assèchement Liberty sont munies d'un orifice d'évacuation de l'air pour prévenir la formation de poches d'air. Une légère vaporisation d'eau par cet orifice est normale lorsque la pompe fonctionne.)

4. Entretien et fonctionnement des composants électriques

⚠ MISE EN GARDE

- **Danger d'électrocution.** Toujours débrancher la pompe de l'alimentation électrique avant de la manipuler ou d'y effectuer des réglages.
- Les raccords électriques et le câblage pour l'installation de la pompe ne devraient être effectués que par des professionnels qualifiés.
- Cette pompe est fournie avec un conducteur de mise à la terre et une fiche de branchement de type mise à la terre. Afin de réduire les dangers d'électrocution, s'assurer que le conducteur de mise à la terre est raccordé seulement à un panneau de commande correctement mis à la terre, ou, s'il est muni d'une fiche avec mise à la terre, qu'elle est correctement mise à la terre.
- NE PAS dévier les fils de mise à la terre ou retirer les broches de mise à la terre des fiches de branchement.
- NE PAS utiliser de rallonge.
- Cette pompe nécessite un circuit de dérivation à part correctement protégé par un fusible et mis à la terre. S'assurer que la source d'alimentation électrique est suffisante pour répondre aux exigences de tension et d'intensité du courant électrique du moteur, tel qu'indiqué sur la plaque signalétique de la pompe.
- La prise électrique ou le panneau doivent se trouver à la portée du cordon d'alimentation de la pompe et à au moins 1,2 m (4 pieds) au-dessus du niveau du plancher pour minimiser les dangers possibles pouvant être causés par une inondation.
- L'installation doit être faite en respectant le code national de l'électricité et tous les codes locaux et règlements en vigueur.

⚠ AVERTISSEMENT

Lorsqu'il existe des risques de dommages à la propriété en raison d'un niveau d'eau élevé, il est conseillé d'installer une alarme indépendante signalant la hausse du niveau de l'eau ou un système de pompage de secours.

Tous les modèles de pompes automatiques de la gamme FL (identifiées par la lettre « A ») et les modèles 253 et 283 sont munis d'un interrupteur à flotteur fixé à la pompe en usine. Ces modèles sont munis de deux cordons : l'un relié à l'interrupteur à flotteur et l'autre au moteur de la pompe. Le cordon de l'interrupteur est muni d'un connecteur en série (siamois) permettant de brancher le cordon de la pompe (moteur) sur son dos. Ce système a pour but de permettre le fonctionnement manuel de la pompe.

Pour permettre le fonctionnement manuel, ou en cas de défaillance de l'interrupteur, le cordon de la pompe peut être séparé et branché dans la prise électrique, en contournant directement l'interrupteur.

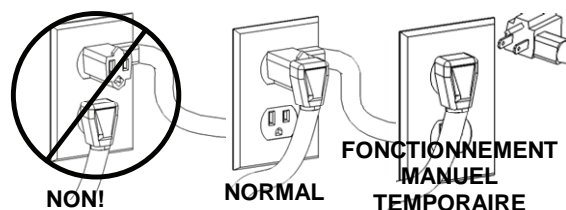


Fig. 4- Fonctionnement manuel temporaire

Pour un fonctionnement automatique, à l'aide de l'interrupteur fourni par Liberty, les deux cordons doivent être interconnectés et branchés dans une prise d'une intensité en ampères suffisante pour le modèle de pompe choisi, avec fusibles indépendants et mise à la terre. (Voir section 1, Renseignements généraux, ou la plaque signalétique de la pompe pour connaître les caractéristiques électriques du modèle.) Les deux cordons sont munis de fiches à trois broches et doivent être branchés dans une prise à trois ouvertures avec mise à la terre adéquate. **NE PAS RETIRER LA BROCHE DE MISE À LA TERRE.**

MISE EN GARDE

On doit uniquement faire fonctionner les pompes 208-230 V monophasées sans l'interrupteur à flotteur en utilisant le disjoncteur ou l'interrupteur du panneau.

AVERTISSEMENT

Ne pas laisser la pompe fonctionner à sec.

Les niveaux de marche d'arrêt varient selon le modèle. (Consulter le tableau des caractéristiques des modèles à la page 3 pour connaître les niveaux réglés en usine pour chaque modèle particulier.) On peut obtenir d'autres intervalles de pompage en attachant le cordon de l'interrupteur au tuyau d'évacuation. **REMARQUE** : une longueur de cordon minimum de 8,9 cm (3½ po) entre le point d'attache et le haut du flotteur est nécessaire au bon fonctionnement de l'interrupteur. Lorsqu'on utilise un intervalle différent de celui qui est réglé en usine, s'assurer que, lorsque la pompe s'arrête, il reste au moins 8,9 cm (3½ po) de liquide dans le bassin, de manière à ce que le rotor demeure submergé. **(Les modèles 251, 257, 281 et 287 sont munis d'interrupteurs réglés en usine qui ne sont pas ajustables.)**

Les pompes manuelles qui n'ont pas d'interrupteur sont destinées à servir avec un dispositif de contrôle du niveau de liquide ou une commande de moteur dont la capacité correspond à l'intensité maximale du moteur. Quel que soit le type de commande, s'assurer qu'il reste au moins 8,9 cm (3½ po) de liquide dans le bassin lorsque la pompe s'arrête, de manière à ce que le rotor demeure submergé.

REMARQUE : Fonctionnement automatique avec dispositifs de commande facultatifs : Si les pompes doivent fonctionner avec un panneau de commande en simple ou en double ou d'autres dispositifs de commande facultatifs, suivre les directives d'installation fournies avec le dispositif de commande et faire les raccordements selon ce qui est recommandé. Si nécessaire, certains modèles peuvent fonctionner avec un dispositif de commande séparé.

MISE EN GARDE

On doit uniquement faire fonctionner les pompes 208-230 V monophasées sans l'interrupteur à flotteur en utilisant le disjoncteur ou l'interrupteur du panneau.

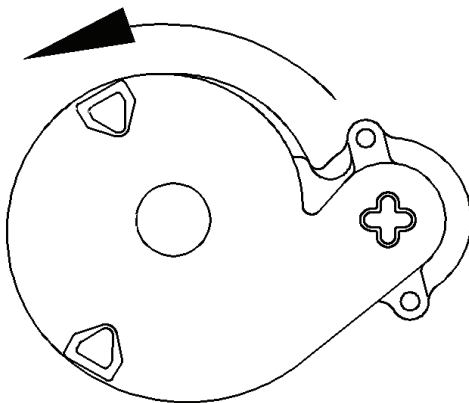
AVERTISSEMENT

Ne pas laisser la pompe fonctionner à sec.

Les pompes triphasées (FL103, FL104, FL153, FL154, FL203, FL204)

AVERTISSEMENT

Pour les pompes triphasées, vérifier la rotation adéquate avant d'installer la pompe dans son compartiment (voir fig. 5).



Vue inférieure

Fig. 5 – Bonne rotation du rotor, modèles triphasés

Vérifier la rotation adéquate des pompes triphasées avant de les installer dans le compartiment. Pour modifier la rotation, inverser n'importe laquelle des trois broches d'alimentation vers la pompe. Coder les fils pour reconnexion après l'installation.

Si la pompe doit être branchée directement dans un dispositif de commande ou une boîte de connexion, et qu'il est nécessaire de retirer les fiches, faire raccorder le câblage par un électricien autorisé en respectant les normes du code national de l'électricité et de tous les codes locaux en vigueur. Voir fig. 6 pour installation directe de pompes monophasées automatiques.

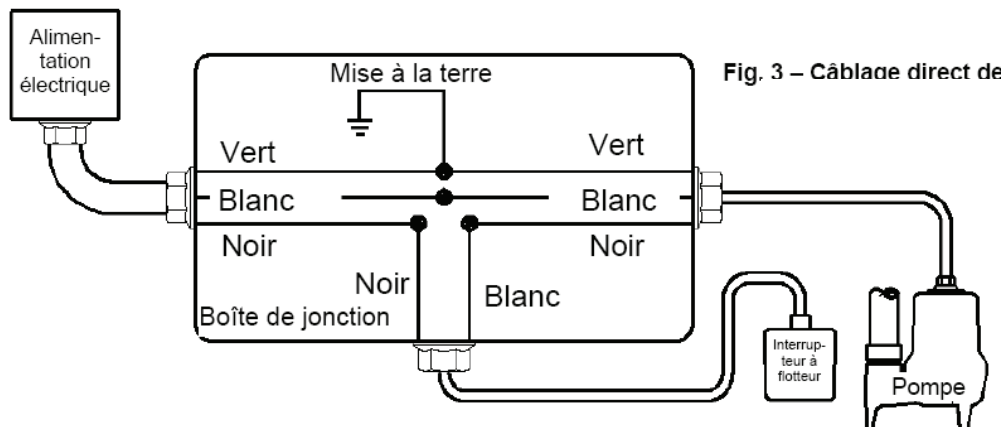


Fig. 3 – Câblage direct de

Fig. 6 – Câblage direct de pompes monophasées, automatiques 120 V ou 208-230 V.

MISE EN GARDE

Installations de pompes 208-230 V : Installer un interrupteur bipolaire près de l'installation de la pompe. Un côté du câble allant vers la pompe est toujours sous tension, que l'interrupteur du flotteur soit en position de marche ou d'arrêt. Utiliser un interrupteur bipolaire qui permet de mettre les deux branches hors tension.

5. Entretien

MISE EN GARDE

Danger d'électrocution. Toujours débrancher la pompe de l'alimentation électrique avant de la manipuler ou d'y effectuer des réglages.

MISE EN GARDE

Toujours débrancher la pompe de sa source d'alimentation électrique avant de la manipuler. Ce guide sert à aider à identifier les causes de problèmes de fonctionnement éventuels. Ce n'est pas un guide d'entretien. **Le démontage de la pompe annulera la garantie.** L'entretien de la pompe pour effectuer des travaux autres que d'en nettoyer l'entrée ou le rotor doit être confié au fabricant ou à ses centres d'entretien autorisés.

- 1. Modèles submersibles :** ces modèles de pompes sont munis de roulements à lubrification permanente qui ne nécessitent aucun graissage supplémentaire.
- 2. Il est important de vérifier la pompe régulièrement, car la présence de débris ou de dépôts peut nuire au fonctionnement de la pompe ou de l'interrupteur à flotteur.** Le flotteur doit être en mesure de se déplacer librement sur tout son parcours, sans restriction. Verser suffisamment d'eau dans le puisard pour activer la pompe de temps en temps (au moins tous les 3 mois) afin d'en vérifier le fonctionnement lorsqu'elle ne fonctionne pas régulièrement.

REMARQUE : Liberty Pumps, Inc. n'est pas responsable des dommages ou blessures résultant d'un démontage sur le terrain.

6. Guide de dépannage

Problème	Cause	Mesure correctrice
La pompe ne fonctionne pas.	<ul style="list-style-type: none"> Fusible brûlé ou autre interruption d'alimentation, tension inadéquate. 	<ul style="list-style-type: none"> S'assurer que le branchement de l'appareil est sécuritaire. Demander à un électricien de vérifier tous les câbles au niveau des branchements et de s'assurer que la capacité et l'intensité sont adéquates.
	<ul style="list-style-type: none"> *Interrupteur qui ne peut se mettre en position de marche en raison de l'interférence du côté du bassin ou d'un autre type d'obstacle. 	<ul style="list-style-type: none"> Placer la pompe ou l'interrupteur de manière à ce que le dégagement soit suffisant pour bien fonctionner.
	<ul style="list-style-type: none"> Niveau de liquide insuffisant. 	<ul style="list-style-type: none"> S'assurer que le niveau de liquide peut s'élever suffisamment pour activer le(s) interrupteur(s).
	<ul style="list-style-type: none"> Interrupteur défectueux. 	<ul style="list-style-type: none"> Remplacer l'interrupteur s'il est défectueux.
La pompe refuse de s'éteindre.	<ul style="list-style-type: none"> Interrupteur(s) qui ne peu(ven)t se mettre en position d'arrêt en raison de l'interférence du côté du bassin ou d'un autre type d'obstacle. 	<ul style="list-style-type: none"> Placer la pompe ou l'interrupteur de manière à ce que le dégagement soit suffisant pour bien fonctionner.
	<ul style="list-style-type: none"> Interrupteur défectueux. 	<ul style="list-style-type: none"> Remplacer l'interrupteur s'il est défectueux.
La pompe tourne ou gronde, mais ne pompe pas.	<ul style="list-style-type: none"> Conduits d'évacuation bloqués entièrement ou partiellement. 	<ul style="list-style-type: none"> Vérifier dans la canalisation d'évacuation qu'il n'y ait pas de corps étrangers, y compris de formation de glace si la canalisation d'évacuation se trouve dans des zones froides ou les traverse.
	<ul style="list-style-type: none"> Clapet antiretour bloqué en position fermée ou incorrectement installé. 	<ul style="list-style-type: none"> Retirer tout clapet antiretour et vérifier qu'il fonctionne librement et est bien installé.
	<ul style="list-style-type: none"> Robinet vanne ou clapet à bille fermé. 	<ul style="list-style-type: none"> Ouvrir le robinet-vanne ou le clapet à bille.
	<ul style="list-style-type: none"> Charge ascensionnelle totale qui dépasse la capacité de la pompe. 	<ul style="list-style-type: none"> Essayer de rediriger le tuyau à un niveau inférieur. Si c'est impossible, il faut probablement se procurer une pompe plus puissante. Consulter le fabricant.
	<ul style="list-style-type: none"> Rotor de la pompe bloqué ou corps de pompe en spirale bouché. 	<ul style="list-style-type: none"> *Retirer la pompe du bassin. Détacher la base de la pompe et nettoyer la zone entourant le rotor. Remonter et réinstaller.
La pompe tourne périodiquement lorsque les accessoires ne sont pas utilisés.	<ul style="list-style-type: none"> Clapet antiretour non installé, bloqué en position ouverte ou qui fuit. 	<ul style="list-style-type: none"> Retirer tout clapet antiretour et vérifier qu'il fonctionne librement et est bien installé.
	<ul style="list-style-type: none"> Accessoires qui coulent. 	<ul style="list-style-type: none"> Réparer les accessoires au besoin pour éliminer les fuites.
La pompe fait du bruit.	<ul style="list-style-type: none"> Corps étrangers dans les cavités du rotor. 	<ul style="list-style-type: none"> *Retirer la pompe du bassin. Détacher la base de la pompe et nettoyer la zone entourant le rotor. Remonter et réinstaller.
	<ul style="list-style-type: none"> Rotor brisé. 	<ul style="list-style-type: none"> Consulter le fabricant pour obtenir de l'information au sujet du remplacement du rotor.
	<ul style="list-style-type: none"> Coussinets usés. 	<ul style="list-style-type: none"> Retourner la pompe au fabricant ou la faire réparer par un réparateur autorisé.
	<ul style="list-style-type: none"> Raccordements des tuyaux à la structure de la maison trop rigides. 	<ul style="list-style-type: none"> Remplacer une partie du tuyau d'évacuation par un boyau ou un raccord en caoutchouc.

7. Garantie limitée de 2 ans

***REMARQUE :** Liberty Pumps, Inc. n'est pas responsable des dommages ou blessures résultant d'un démontage sur le terrain. Le démontage effectué ailleurs que chez Liberty Pumps à l'un de ces centres de services autorisés annule automatiquement la garantie.

Liberty Pumps, Inc. garantit que les pompes sortant de son usine sont exemptes de tout défaut de matériau et de fabrication pour une période de 2 ans à partir de la date d'achat. La date d'achat sera établie par une facture d'achat datée indiquant les numéros de modèle et de série de la pompe. La pompe retournée doit être accompagnée de la facture d'achat datée si la date de retour se situe à plus de 2 ans du numéro de « CODE » (date de fabrication) indiqué sur la plaque signalétique de la pompe.

L'obligation de garantie du fabricant se limite à la réparation ou au remplacement de toute pièce jugée défectueuse par le fabricant, à condition que la pièce ou l'appareil soient retournés franco de port au fabricant ou à son centre d'entretien autorisé et à condition qu'il n'y ait aucune preuve que les critères suivants annulant la garantie sont en cause.

Le fabricant ne peut en aucun cas être tenu responsable, selon les dispositions de cette garantie, si le produit n'a pas été correctement installé; s'il a été démonté, modifié, soumis à un usage abusif ou endommagé; si le cordon électrique a été coupé, endommagé ou ligaturé; si la taille du tuyau d'évacuation de la pompe a été réduite; si la pompe a été utilisée pour pomper de l'eau d'une température supérieure aux recommandations ci-dessus ou de l'eau contenant du sable, de la chaux, du ciment, du gravier ou autres matières abrasives; si le produit a été utilisé pour pomper des produits chimiques ou des hydrocarbures; si un moteur non submersible a été exposé à de l'humidité excessive; ou si l'étiquette portant le numéro de série, de modèle et de code a été retirée. Liberty Pumps, Inc. ne pourra être tenue responsable des pertes, dommages, frais attribuables à l'installation ou l'utilisation de ses produits ni pour les dommages accessoires ou consécutifs, y compris les coûts de retrait, de réinstallation ou de transport.

Il n'y a aucune autre garantie expresse. Toute garantie implicite, y compris celles de qualité marchande et d'aptitude à une fin particulière est limitée à deux ans à partir de la date d'achat.

Cette garantie contient le recours exclusif de l'acheteur et exclut, lorsque permis par la loi, toute responsabilité pour dommages consécutifs ou accessoires en vertu de toutes autres garanties.



7000, avenue Apple Tree
Bergen (NY) 14416
Téléphone : (800) 543-2550
Télécopieur : (585) 494-1839
www.libertypumps.com