

WHIRLWIND™ DC-SERIES SOLAR LINEAR AIR PUMPS

WWW.WHIRLWINDAIRPUMPS.COM



2-YEAR WARRANTY

Whirlwind™ Linear Air Pumps are a superior choice for applications that require reliable aeration including septic tanks, decorative ponds, hydroponic & aquaponic systems.

The Whirlwind DC-Series air pumps are powered by solar energy through a solar panel which connects to the integrated DC inverter.

Features

- Use the power of the sun - no electrical utility costs
- Available in 12 and 24 Volt
- Pump operates continuously with direct solar and switches to AC power automatically

Models



DC40: 1.4 CFM at 2.14 PSI (12 Volt)



DC60: 2.1 CFM at 2.14 PSI (12 Volt)
DC80: 3.0 CFM at 2.14 PSI (12 Volt)
DC80: 3.0 CFM at 2.14 PSI (24 Volt)



DC Inverter

Heat resistant powder coated lightweight aluminum outer shell.

Rubber vibration dampeners



Hose and clips included

The DC Solar Air Pump is available installed in weather proof pod.

(Retro-Air Pod sold separately)

RETROAIR™

Pod available in Sandstone and Granite Green colors



Order/Questions : 800-536-5564

Septic Services, INC.

WHIRLWINDTM DC-SERIES LINEAR AIR PUMPS

The Whirlwind DC-Series air pumps are powered by solar energy through a solar panel which connects to the integrated DC inverter.

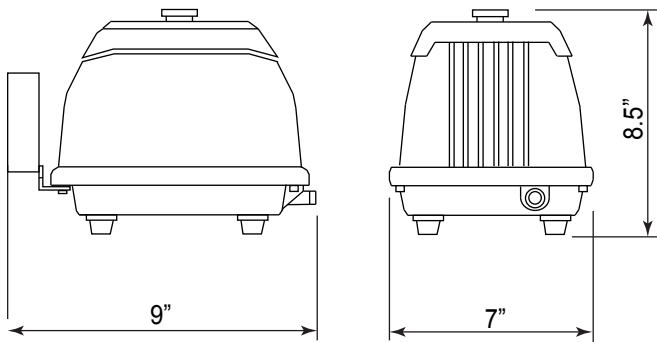
All Models Features

- Use the power of the sun - no electrical utility costs
- Available in 12 and 24 Volt
- Pump operates continuously with direct solar and switches to AC power automatically

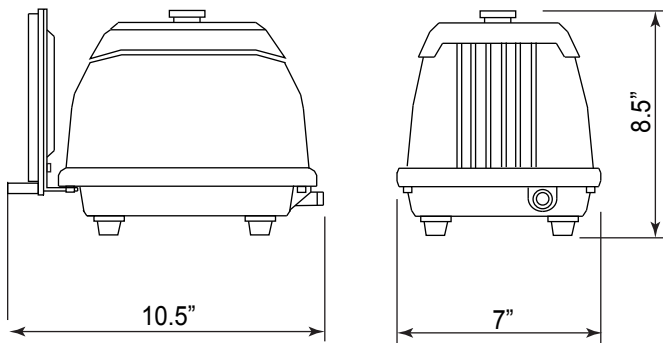
Motor Specifications

Voltage, Freq	120V, 60Hz	240V, 60Hz
DC40	3.2 Amp	1.6 Amp
DC60	6.0 Amp	3.0 Amp
DC80	8.0 Amp	4.0 Amp

Model Unit Dimensions

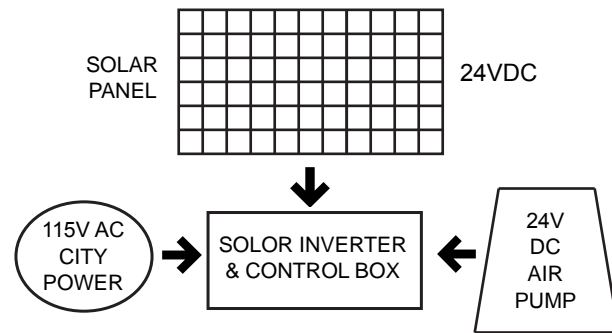


Models DC40



Models DC60, DC80

Configuration Diagram



Unit Specifications

	DC40	DC60	DC80	DC80
CFM	1.4	2.1	3.0	3.0
PSI	2.18	2.18	2.18	2.18
Volts	12	12	12	24
Dimensions	9" x 7" x 8.5"	10.5" x 7" x 8.5"	10.5" x 7" x 8.5"	10.5" x 7" x 8.5"
Weight	14 lbs.	14 lbs.	11.75 lbs.	11.75 lbs.

Septic Services, Inc. reserves the right under its product improvement policy to change construction or design detail without obligation regarding previous models and to furnish equipment when so altered without reference to illustrations or specifications used here.